

b

HIGH SPEED AUTOMATIC EMBROIDERY MACHINE

BEDYHE-ZQ-C

PARTS LIST

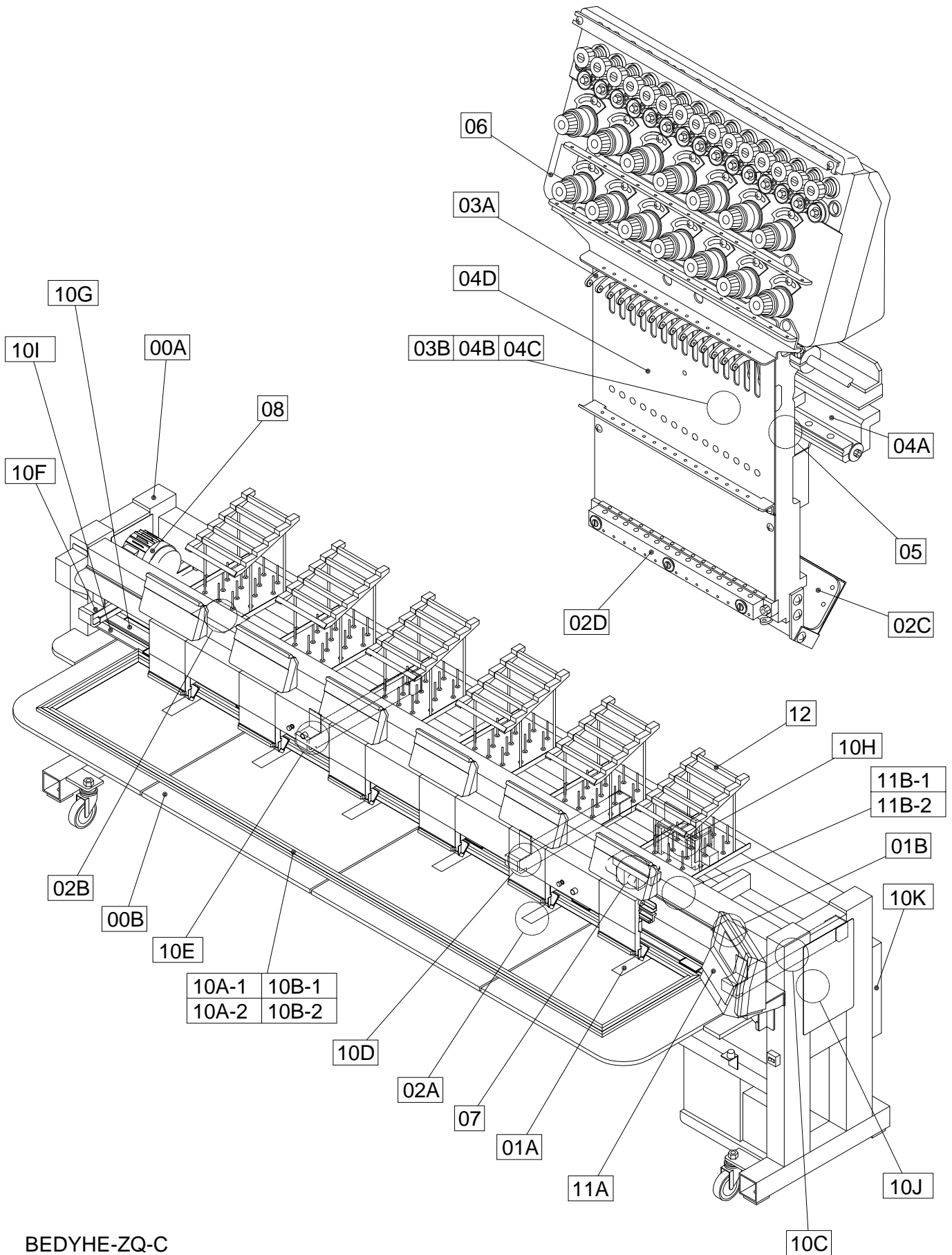
BEDYHE-ZQ-C

HIGH SPEED AUTOMATIC EMBROIDERY MACHINE

CONTENTS

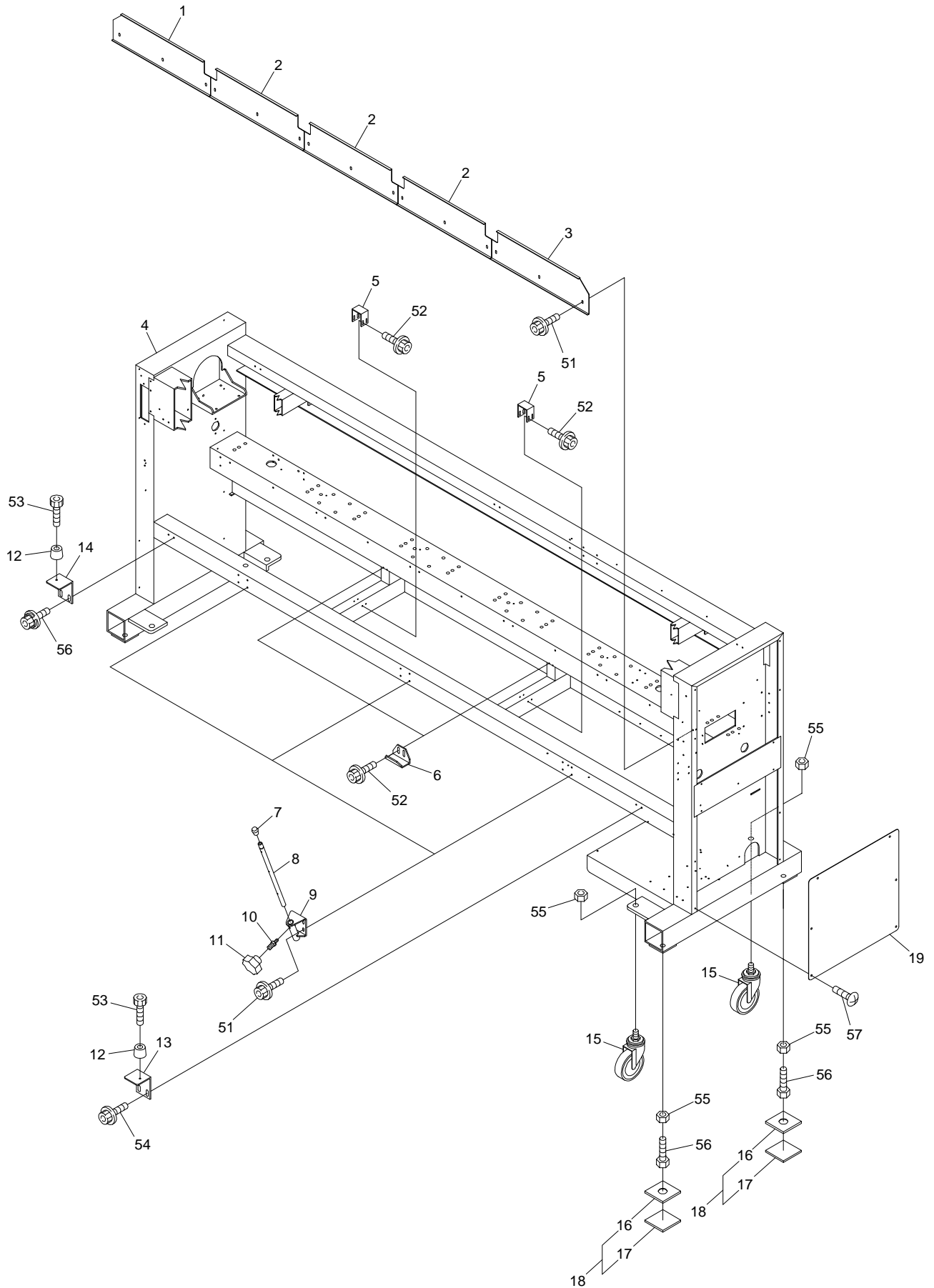
Machine layout (BENYHE-ZQ-C)	07	Color change
00A-1 Table-Frame A (2T/4T)	08-1	Drive (2T/4T)
00A-2 Table Frame A (6T)	08-2	Drive (6T)
00B Table Frame B	10A	Pantograph drive A (QS)
01A Head Bed A	10B	Pantograph drive B (QS)
01B Head Bed B	10C	Pantograph drive C
02A Thread Cut A	10D	Pantograph drive D
02B Thread Cut B	10E	Pantograph drive E
02C Thread Cut C	10F	Pantograph drive F
02D Thread Cut D	10G	Pantograph drive G
03A Take up lever A	10H	Pantograph drive H
03B Take up lever B	10I	Pantograph drive I
04A Needle bar A	10J	Pantograph drive J
04B Needle bar B	10K	Pantograph drive K
04C Needle bar C	11A	Control A
04D Needle bar D	11B-1	Control A (2T/4T)
05 Jump	11B-2	Control B (6T)
06 Thread Guide	12	Accessories

Machine layout (BEDYHE-ZQ-C)



From the library of: Diamond Needle Corp

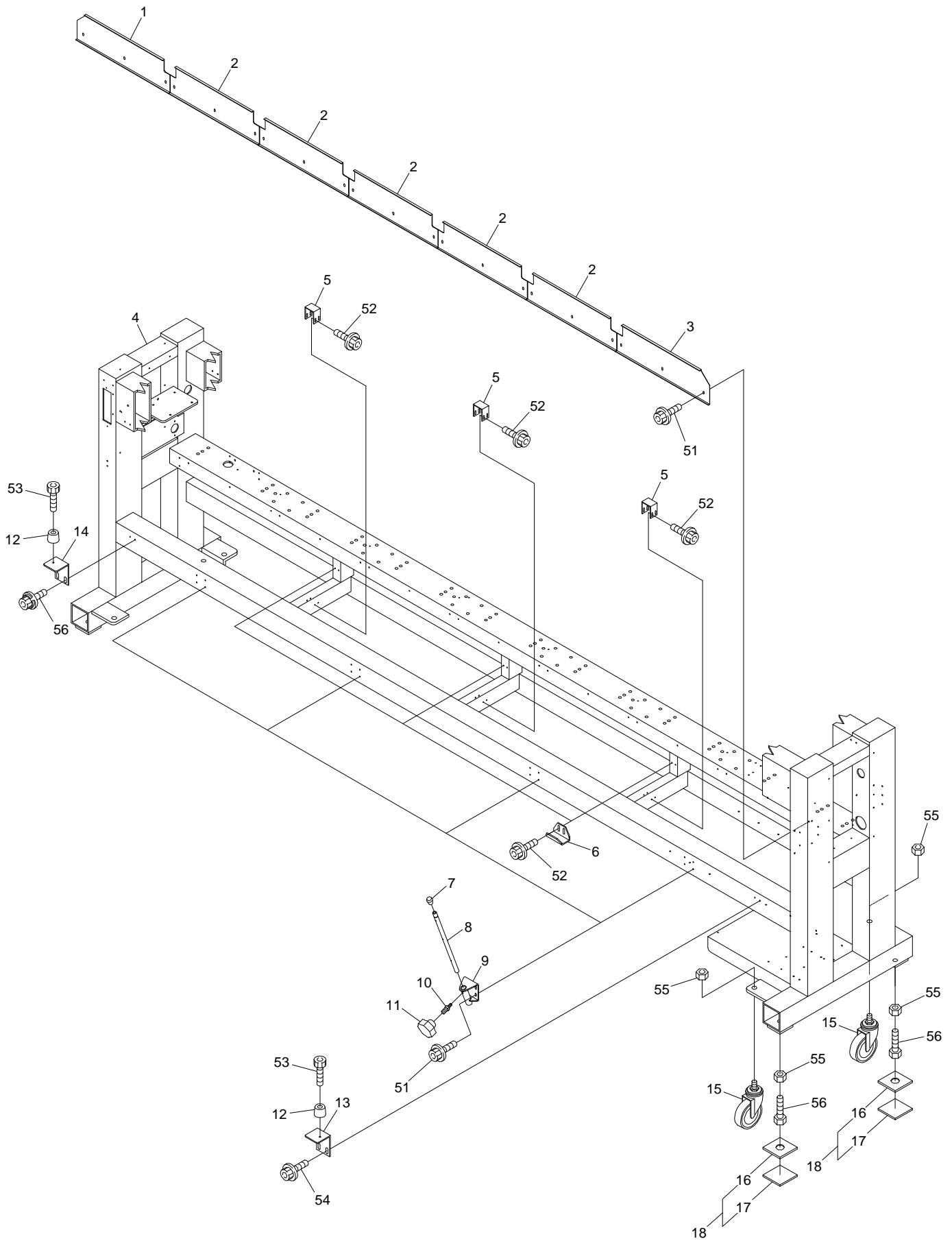
BEDYHE-ZQ-C



BENYHE-YN-C BEDYHE-YN-C BENYHE-ZQ-C BEDYHE-ZQ-C
 BENBHE-YN-C BENBHE-ZQ-C

00A-1 TABLE - FRAME A

ITEM	LIST NO.	DESCRIPTION	Q'TY	NOTE
1	SJ140050	Oil store(L) DYHE P=520	1	
2	SJ140060	Oil store(Center) DYHE P=520	1	2T
			3	4T
3	SJ140040	Oil store(R) DYHE P=520	1	
4	SJ160000	Frame a'ssy BEDYHE-ZQ-C02 450x520/520	1	2T
	SJ160010	Frame a'ssy BEDYHE-ZQ-C04 450x520/520	1	4T
5	SC140130	Table bracket	1	2T
			2	4T
6	SC140120	Table stopper	1	2T
			2	4T
7	A9014161	Rubber foot for pipes(C-31-5)	2	2T
			3	4T
8	SC140110	Table stand	2	2T
			3	4T
9	SJ140030	Table stand bracket(DYHE)	2	2T
			3	4T
10	SC140180	Knob bolt	2	2T
			3	4T
11	A9014162	Seven lobe knob(KSF-40-M8)	2	2T
			3	4T
12	A9014163	Color rubber foot(C-30-FRB-3225)	2	
13	SC140160	Support table catch stay(R)	1	
14	SC140170	Support table catch stay(L)	1	
15	A9019049	Caster(SSC-125NU)	4	
16	SC160010	Mount base(Compact machine)	4	
17	SC160020	Vibroisolating pad(Compact machine)	4	
18	SC160030	Mount base a'ssy(Compact machine)	4	
19	SJ160040	Frame under cover(DYHE)	2	
51		Hex.socket flange bolt M6x12(Uni chrome)		
52		Hex.socket flange bolt M5x10(Uni chrome)		
53		Hex.socket bolt M5x15(With adhesive)		
		Black(Screw lock red)		
54		Hex.socket flange bolt M5x12		
55		Hex.nut M20		
56		Hex.bolt M20x75		
57		Truss screw M5x10		



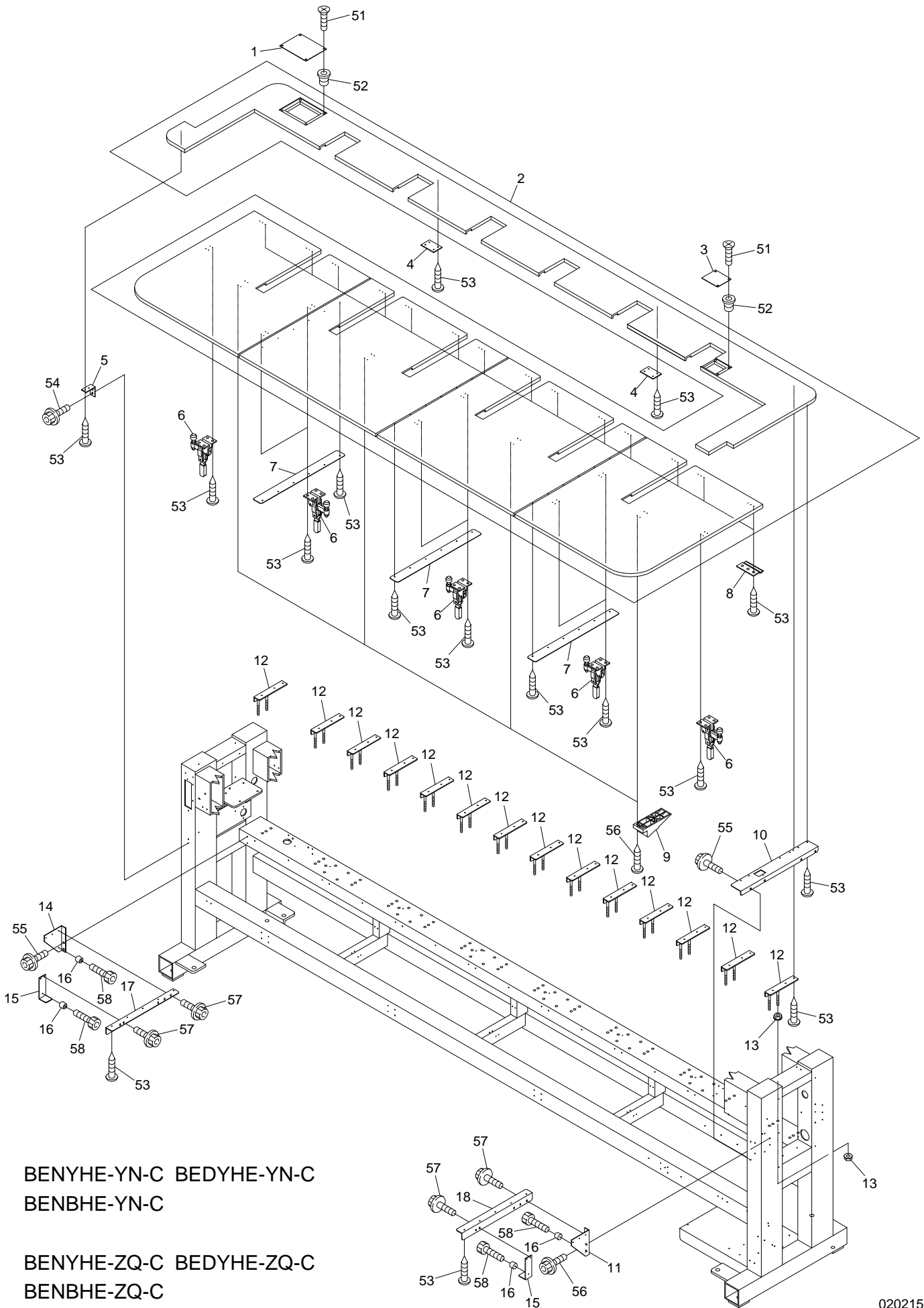
BENYHE-YN-C BEDYHE-YN-C BENYHE-ZQ-C BEDYHE-ZQ-C
 BENBHE-YN-C BENBHE-ZQ-C

From the library of: Diamond Needle Corp

00A-2 TABLE - FRAME A (6T)

ITEM	LIST NO.	DESCRIPTION	Q'TY	NOTE
1	SJ140050	Oil store(L) DYHE P=520	1	
2	SJ140060	Oil store(Center) DYHE P=520	5	
3	SJ140040	Oil store(R) DYHE P=520	1	
4	SJ160050	Frame a'ssy BEDYHE-ZQ-C06 450x520/520	1	
5	SC140130	Table bracket	3	
6	SC140120	Table stopper	3	
7	A9014161	Rubber foot for pipes(C-31-5)	4	
8	SC140110	Table stand	4	
9	SJ140030	Table stand bracket(DYHE)	4	
10	SC140180	Knob bolt	4	
11	A9014162	Seven lobe knob(KSF-40-M8)	4	
12	A9014163	Color rubber foot(C-30-FRB-3225)	2	
13	SC140160	Support table catch stay(R)	1	
14	SC140170	Support table catch stay(L)	1	
15	A9019049	Caster(SSC-125NU)	4	
16	SC160010	Mount base(Compact machine)	4	
17	SC160020	Vibroisolating pad(Compact machine)	4	
18	SC160030	Mount base a'ssy(Compact machine)	4	
51		Hex.socket flange bolt M6x12(Uni chrome)		
52		Hex.socket flange bolt M5x10(Uni chrome)		
53		Hex.socket bolt M5x15(With adhesive)		
		Black(Screw lock red)		
54		Hex.socket flange bolt M5x12		
55		Hex.nut M20		
56		Hex.bolt M20x75		

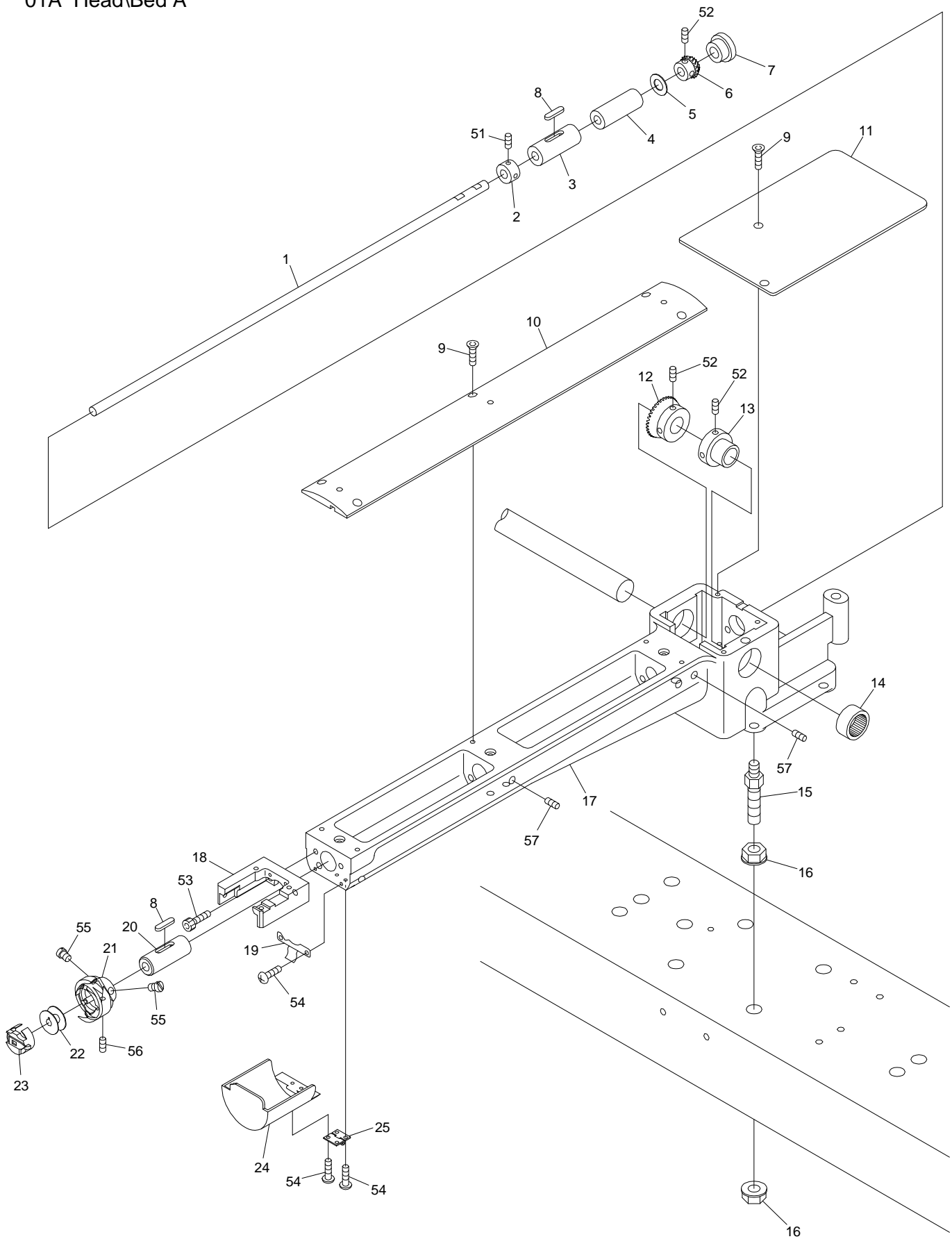
00B TableFrame B



From the library of: Diamond Needle Corp

ITEM	LIST NO.	DESCRIPTION	Q'TY	NOTE
1	SC120030	Thread cut service cover	1	
2	SJ120000	Table BEDYHE-ZQ-C02 450x520/520	1	2T
	SJ120010	Table BEDYHE-ZQ-C04 450x520/520	1	4T
	SJ120030	Table BEDYHE-ZQ-C06 450x520/520	1	6T
3	SC120040	Encoder service cover	1	
4	RQ120080	Jointed plate	2	
5	SC140090	Table support angle	1	
6	A9013070	Toggle clamp(KAKUTA No.40A)	2	2T
			6	4T
			8	6T
7	SC120010	Joint plate	2	4T
			3	6T
8	HM140120	Table stopper(Front)	6	2T
			10	4T
			14	6T
9	SC120020	Table stand stopper	2	2T
			3	4T
			4	6T
10	SJ140020	R-side stand table support(DYHE)	1	
11	SJ140010	LH-table support bracket(DYHE)	1	
12	SC140140	Table support(L=200)	6	2T
			10	4T
			14	6T
13	SC210010	Adjust nut M10	24	2T
			40	4T
			56	6T
14	SJ140000	RH-table support bracket(DYHE)	1	
15	SC140040	Table support stay	2	
16	A9014163	Color rubber foot(C-30-FRB-3225)	4	
17	SC140030	LH-table support	1	
18	SC140020	RH-table support	1	
51		Flush screw(Under cut) M4x8		
52		Rag nut(C) M4		
53		Pierce screw M5x19		
54		Hex.socket flange bolt M6x12		
55		Hex.socket flange bolt M6x12(Uni chrome)		
56		Pierce screw M5x23		
57		Hex.socket flange bolt M5x10(Uni chrome)		
58		Hex.socket bolt M5x15(Black)		

01A Head\Bed A

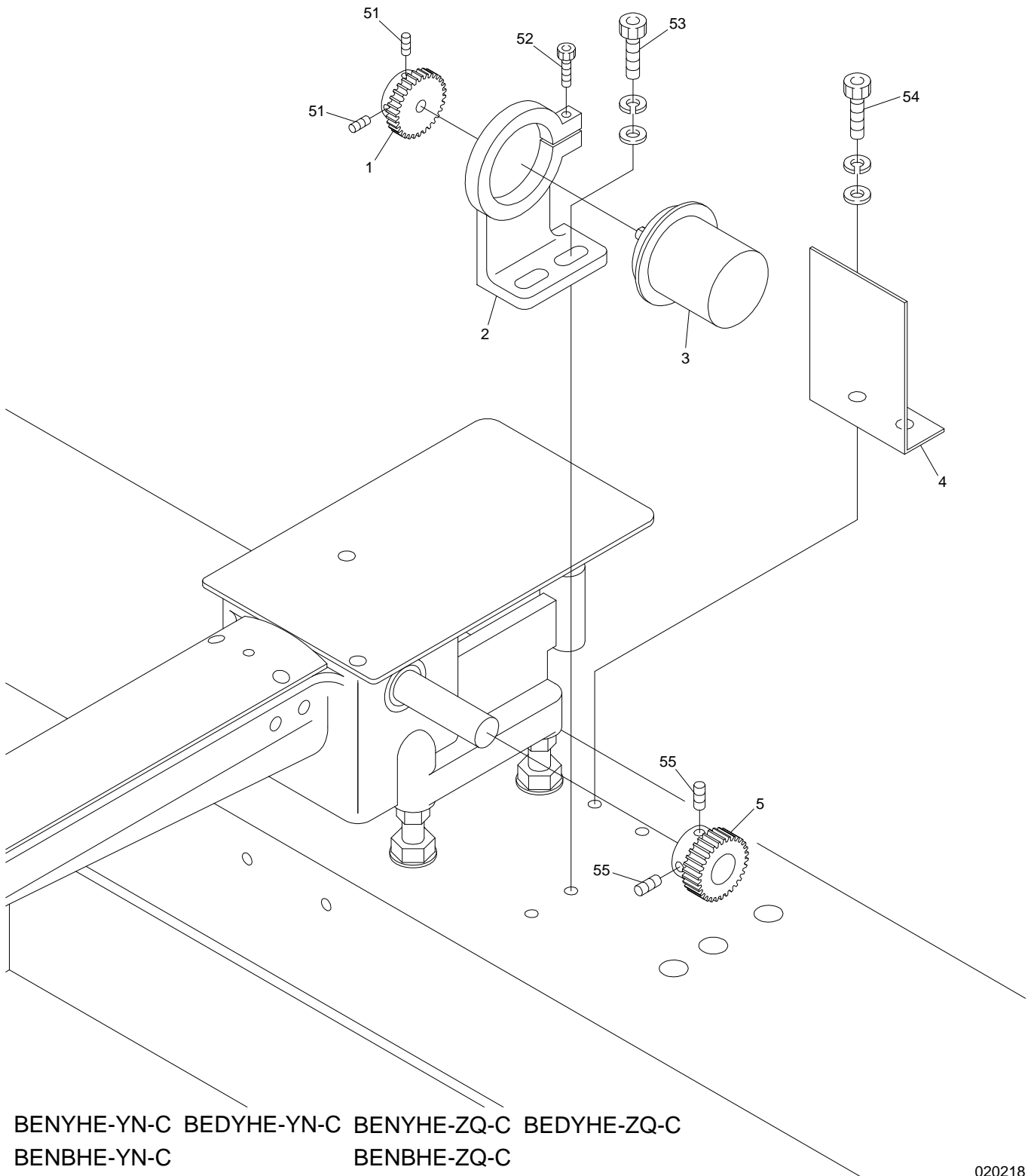


From the library of: Diamond Needle Corp

BENYHE-YN-C BEDYHE-YN-C BENYHE-ZQ-C BEDYHE-ZQ-C
 BENBHE-YN-C BENBHE-ZQ-C

01A HEAD - BED A

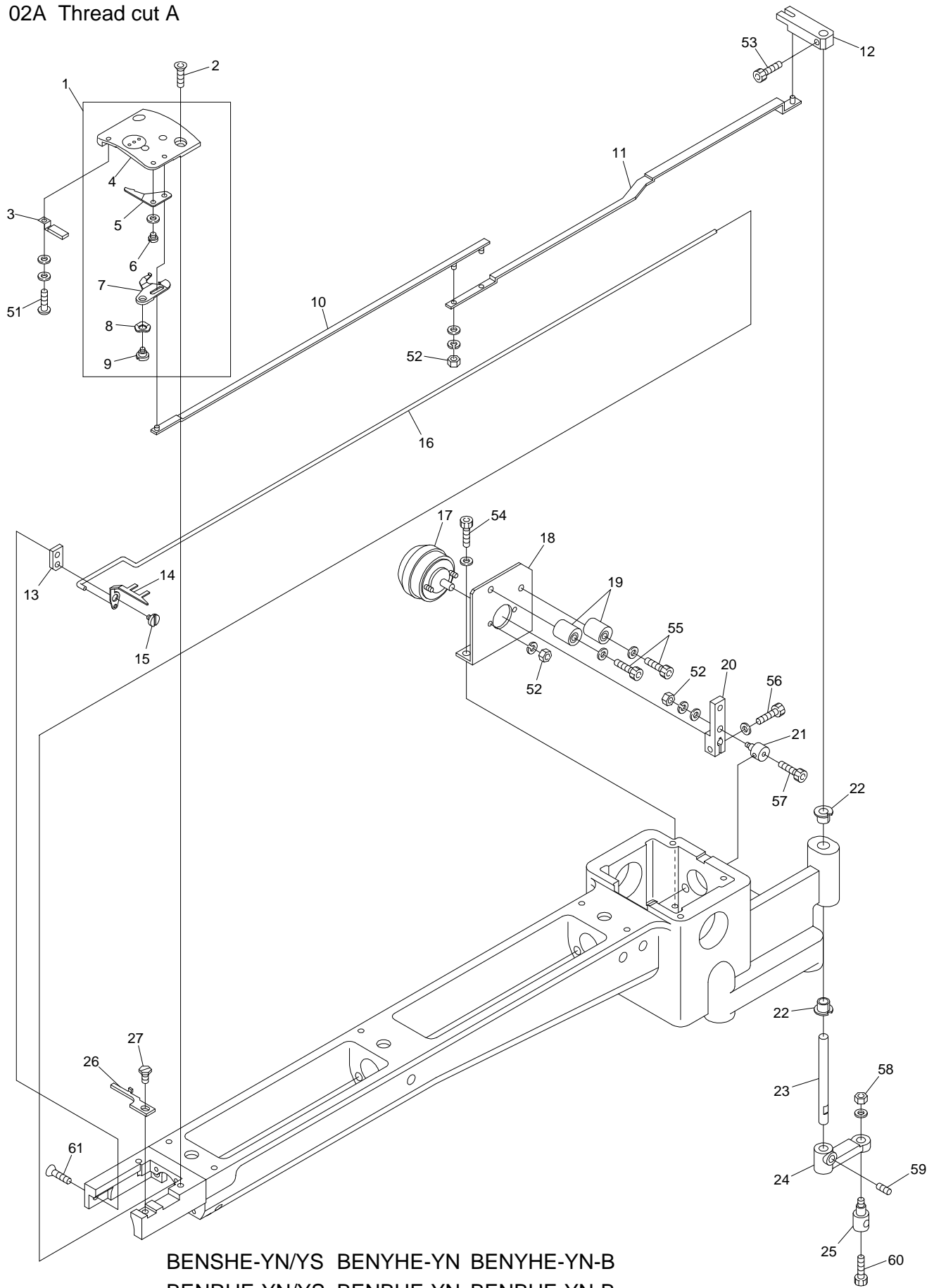
ITEM	LIST NO.	DESCRIPTION	Q'TY	NOTE
1	HS210021	Lower shaft	Hx1	Small bobbin
	HS210020	Lower shaft	Hx1	Middle bobbin
2	KF220290	Lower shaft collar	Hx1	
3	KF220230	Lower shaft metal(Front)	Hx1	
4	HS220010	Lower shaft metal(Cylinder back side)	Hx1	
5	HT220061	Thrust washer (Lower shaft)	Hx1	
6	SJ220010	Lower shaft gear(Small gear,Korean)	Hx1	
7	A9014059	Gromet MG(MG-1)	Hx1	
8	KL220140	Oil felt C(5x25x20)	Hx2	
9	KX250080	Throat plate set screw(Hex.socket)	Hx7	
10	HS210190	Cylinder bed cover	Hx1	
11	HS210042	Bed cover	Hx1	
12	SJ320010	Lower shaft gear(Large gear,Korean)	Hx1	
13	HP321090	Lower shaft connecting shaft collar	Hx1	
14	A9011111	Needle bearing(TLA-2012Z)	Hx1	
15	SC210000	Adjust bolt	Hx4	
16	SC210010	Adjust nut M10	Hx8	
17	SJ210020	Barrel bed DYHE(Small bobbin)	Hx1	Small bobbin
	HS210230	Barrel bed R-type(Middle bobbin)	Hx1	Middle bobbin
18	SJ210030	Throat plate base DYHE	Hx1	
19	KC250482	Barrel bed cover hold spring	Hx1	
20	KF220240	Vertical shaft metal(Upper)	Hx1	
21	KF220700	Rotating hook HSL-ATR(M1QTS)	Hx1	Small bobbin
	KF221040	Middle bobbin for automatic feed oil HSM-A(MQ2L)	Hx1	Middle bobbin
22	KF220530	Bobbin	Hx1	Small bobbin
	KF220421	Bobbin (HSM)(DBM)(For aluminum,middle bobbin)	Hx1	Middle bobbin
23	KF221020	Bobbin case(4B19-S6-BA)	Hx1	Small bobbin
	KF220302	Bobbin case BC-DBM(Z2)-NBL5 middle bobbin	Hx1	Middle bobbin
24	HS210031	Barrel bed cover(Short type)	Hx1	
25	A9012027	Hinge(TH-TN-72)	Hx1	
51		Hex.socket set screw SM1/4 40x4		
52		Hex.socket set screw M5x6		
53		Hex.socket bolt M5x15		
54		Pan screw M3x6		
55		Screw(SM11/64 40x5)		
56		Set screw(SM11/64 40x5)		



From the library of: Diamond Needle Corp

BENYHE-YN-C BEDYHE-YN-C BENYHE-ZQ-C BEDYHE-ZQ-C
BENBHE-YN-C BENBHE-ZQ-C

02A Thread cut A



From the library of: Diamond Needle Corp

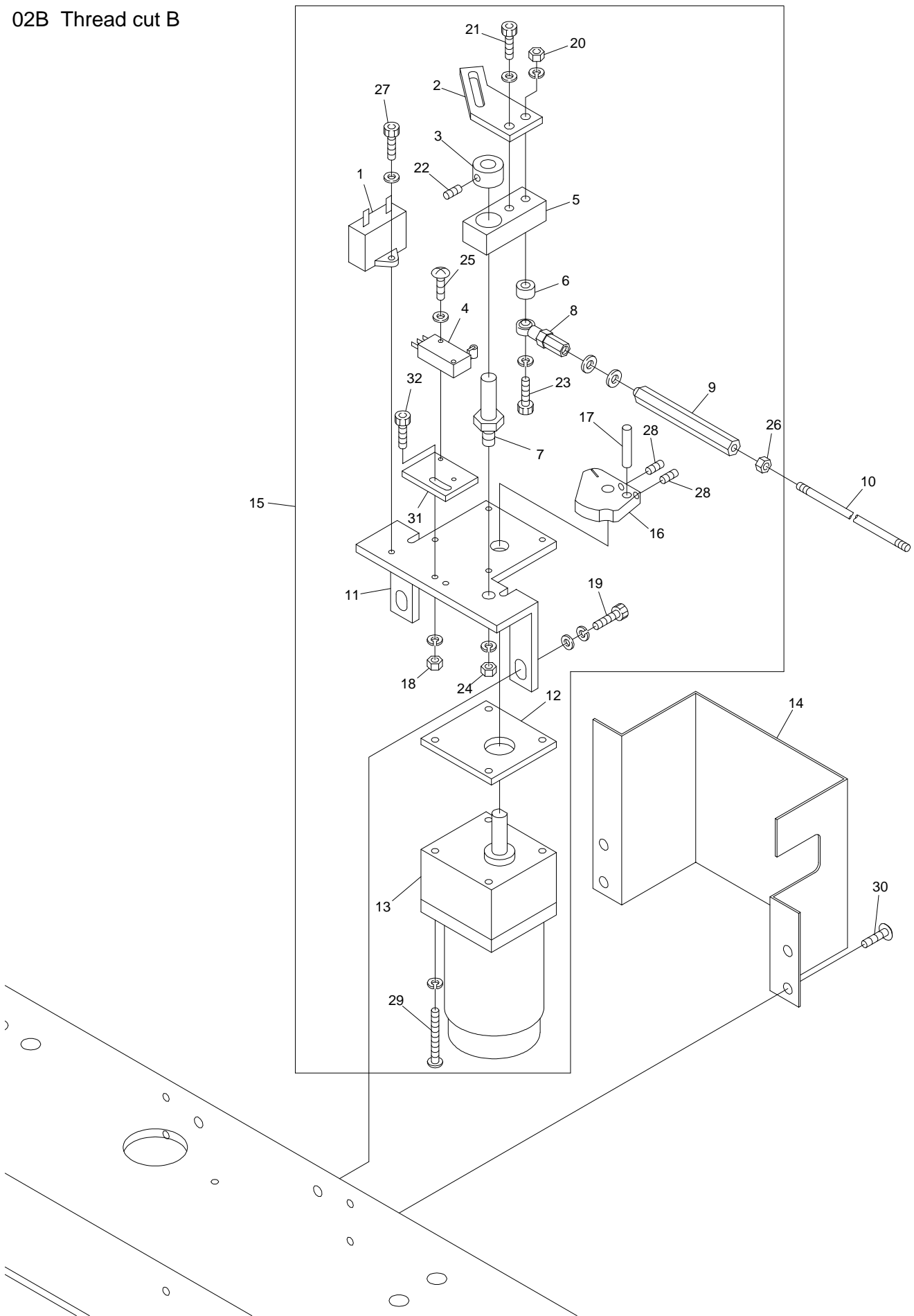
BENSHE-YN/YS BENYHE-YN BENYHE-YN-B
 BENSHE-YN/YS BENBHE-YN BENBHE-YN-B

BENYHE-YN-C BEDYHE-YN-C BENYHE-ZQ BENYHE-ZQ-B BENYHE-ZQ-C BEDYHE-ZQ-C
 BENBHE-YN-C BENBHE-ZQ BENBHE-ZQ-B BENBHE-ZQ-C

02A THREAD CUT A

ITEM	LIST NO.	DESCRIPTION	Q'TY	NOTE
1	KX270283	Cylinder throat plate(Short type) a'ssy	Hx1	
2	KX250080	Throat plate set screw(Hex.socket)	Hx2	
3	HT270181	Lower thread support stay(Cylinder) CMP	Hx1	
4	KX270023	Cylinder throat plate(Short type)	Hx1	
5	KN270961	Fixed knife	Hx1	
6	KX270010	Fixed knife set screw	Hx1	
7	KN270952	Drive knife	Hx1	
8	A9013066	Wave washer(WW5)(SK)	Hx1	
9	KN272010	Lower thread knife rotary shaft	Hx1	
10	HS210111	Lower thread knife drive rod A	Hx1	
11	HS210121	Lower thread knife drive rod B	Hx1	
12	HS210100	Lower thread knife drive lever upper	Hx1	
13	HS210051	Hook fixed stay(Short type)	Hx1	
14	HS210300	Hook(Cylinder MK5)	Hx1	
	HS210142	Hook(For middle bobbin)	Hx1	
15	KC271001	Upper thread knife rotary shaft	Hx1	
16	HS210070	Hook drive rod	Hx1	
17	A9056030	Rotary solenoid 3ER25-35x3x8x9 M960371R(ETL)	Hx1	
18	SJ210040	Solenoid stay(Short small bobbin)	Hx1	
	HS210060	Solenoid stay(For middle bobbin)	Hx1	
19	KN272401	Stopper eccentric	Hx2	
20	KC271940	Soleroid lever A	Hx1	
21	HS210080	Connecting clamp	Hx1	
22	A9011173	DU bush with flange(MB0606-12FDU)	Hx2	
23	HS210090	Knife lever rotary shaft	Hx1	
24	KN271560	Knife lever	Hx1	
25	MT272500	Connecting bar clamp	Hx1	NSHE/NRHE
	HM270000	Connecting bar clamp	Hx1	Except for NSHE/NRHE
26	KX270000	Rotating hook bobbin case holder position bracket	Hx1 Hx1	
27	KX270430	Screw(Cylinder)	Hx1	
51		Pan screw M3x3		
52		Hex.nut M3		
53		Hex.socket bolt M4x6		
54		Hex.socket bolt M4x8(With plain washer)		
55		Hex.socket bolt M4x18		
56		Hex.socket bolt M4x10		
57		Hex.socket bolt M3x5		
58		Hex.nut M4		
59		Hex.socket set screw M5x6		
60		Hex.socket bolt M4x8		
61		Hex.socket flush screw M4x6		

02B Thread cut B



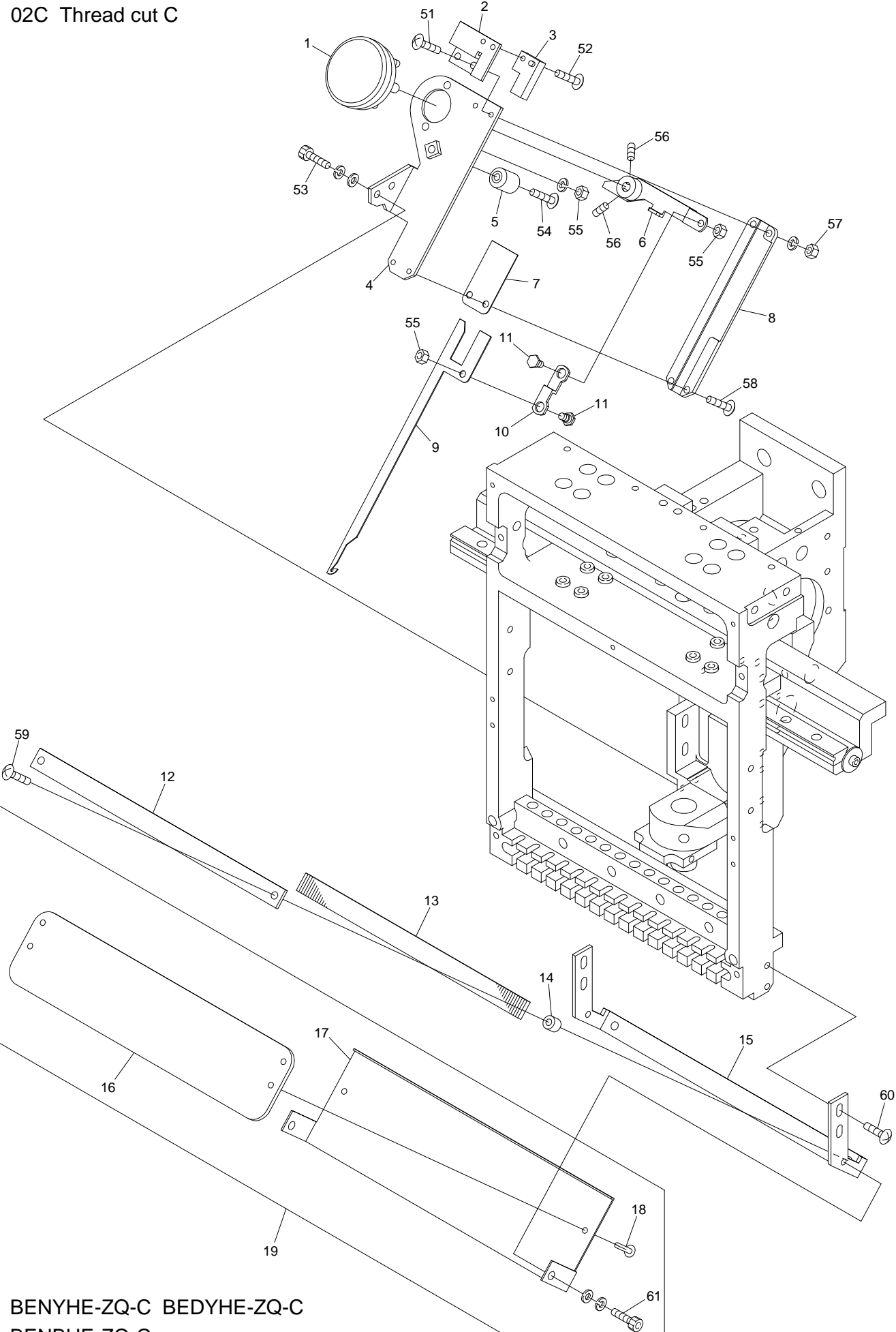
From the library of: Diamond Needle Corp

BENYHE-YN-C BEDYHE-YN-C BENYHE-ZQ-C BEDYHE-ZQ-C
BENBHE-YN-C BENBHE-ZQ-C

02B THREAD CUT B

ITEM	LIST NO.	DESCRIPTION	Q'TY	NOTE
1	A9054040	Condenser(6 μ F-200V)	1	
2	HS270030	Motor cam lever	1	
3	KC330180	Collar 10	1	
4	A9052078	Micro switch(D2VW-01L2A-1)	1	
5	KN271782	Drive lever	1	
6	HM270010	Motor lever collar	1	
7	KN271750	Motor lever rotary shaft	1	
8	A9012002	Uniball joint(PR-6)	1	
9	KC330510	Hex.connecting rod(Large)	1	
10	KC330410	Lock connecting rod(2M)	1	
11	SC270000	Thread cutter motor bracket	1	
12	KC271430	Motor spacer	1	
13	A9065088	Reversible motor RM-H6A8PE-AAR325 6RH-D36X115(ETL)	1	
14	SC250020	Thread cutter central drive cover	1	NYHE
	SJ250050	Thread cutter central drive cover(DYHE)	1	DYHE
15	HS270110	Thread cutter drive a'ssy(Compact machine) ETL-HE-BMK5	1set	
16	HN270010	Drive cam(Bridge cylinder)	1	
17	KN272350	Drive pin	1	
18		Hex.nut M3		
19		Hex.socket bolt M8x20		
20		Hex.nut M6		
21		Hex.socket bolt M6x12		
22		Hex.socket set screw M5x6		
23		Hex.socket bolt M6x55		
24		Hex.nut M8		
25		Truss screw M3x15,M3x20		
26		Hex.nut M5		
27		Hex.socket bolt M4x10		
28		Hex.socket set screw M5x6		
29		Pan screw M5x65		
30		Truss screw M6x10		
31	HS270070	Switch fixed bracket(Cylinder)		
32		Hex.socket bolt M4x12		
	A9053082	Thread cutter motor cable 0.75x6x4M	1	

02C Thread cut C



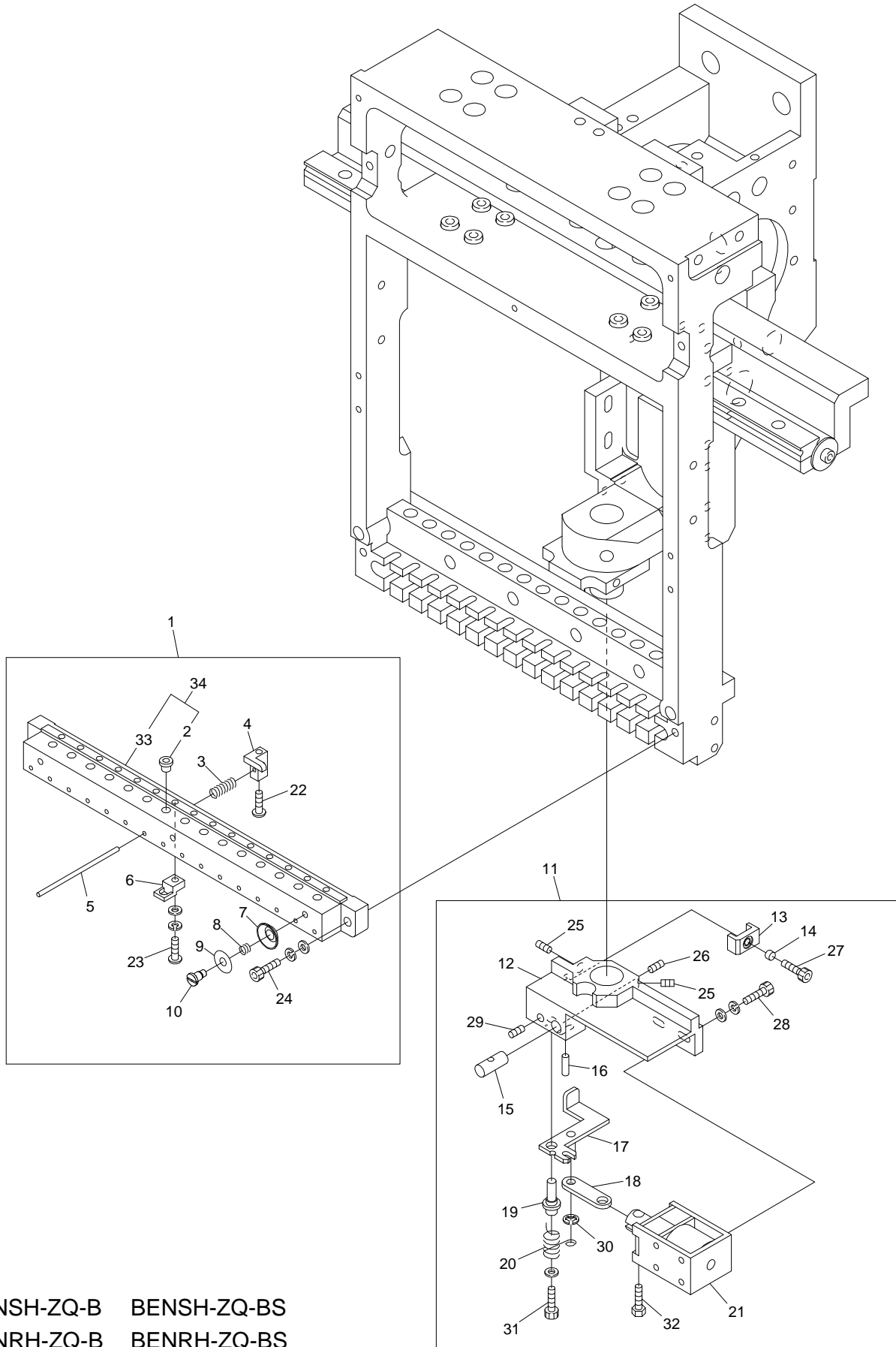
BENYHE-ZQ-C
BEDYHE-ZQ-C
BENBHE-ZQ-C

From the library of: Diamond Needle Corp

02C THREAD CUT C

ITEM	LIST NO.	DESCRIPTION	Q'TY	NOTE
1	A9056031	Rotary solenoid 4ER67.5-33x3x8x9 M970385R(ETL)	Hx1	
2	KL270260	Switch stay	Hx1	
3	A9052028	Proximity switch(RS-603)	Hx1	
4	KL270081	Thread away base	Hx1	
5	KN272401	Stopper eccentric	Hx1	
6	KL270110	Thread away solenoid lever	Hx1	
7	KL270450	Hook guide plate	Hx1	
8	KL270091	Thread away hook guide	Hx1	
9	KL270101	Thread away hook	Hx1	
10	KL270120	Connecting plate	Hx1	
11	KL270130	Lever connecting pin	Hx2	
12	RD270040	Thread guard disk(Upper)	Hx1	
13	RD270020	Napped plate	Hx1	
14	KX270070	Thread guard disk spacer	Hx2	
15	RD270032	Thread guard disk bracket	Hx1	
16	RV250090	Oil catch felt	Hx1	
17	RV250111	Oil catch cover(Compact machine)	Hx1	
18	A9014158	Rivet 2.5x10.5(Brass)	Hx2	
19	RV250121	Oil catch cover set(Compact machine)	Hx1	
51		Truss screw M3x10		
52		Truss screw M3x6		
53		Hex.socket bolt M4x12(With washers)		
54		Truss screw M4x16		
55		Hex.nut M4		
56		Hex.socket set screw M4x8		
57		Hex.nut M3		
58		Truss screw M3x7		
59		Truss screw M4x12		
60		Truss screw M4x8		
61		Hex.socket bolt M4x5(With washers)		

02D Thread cut D



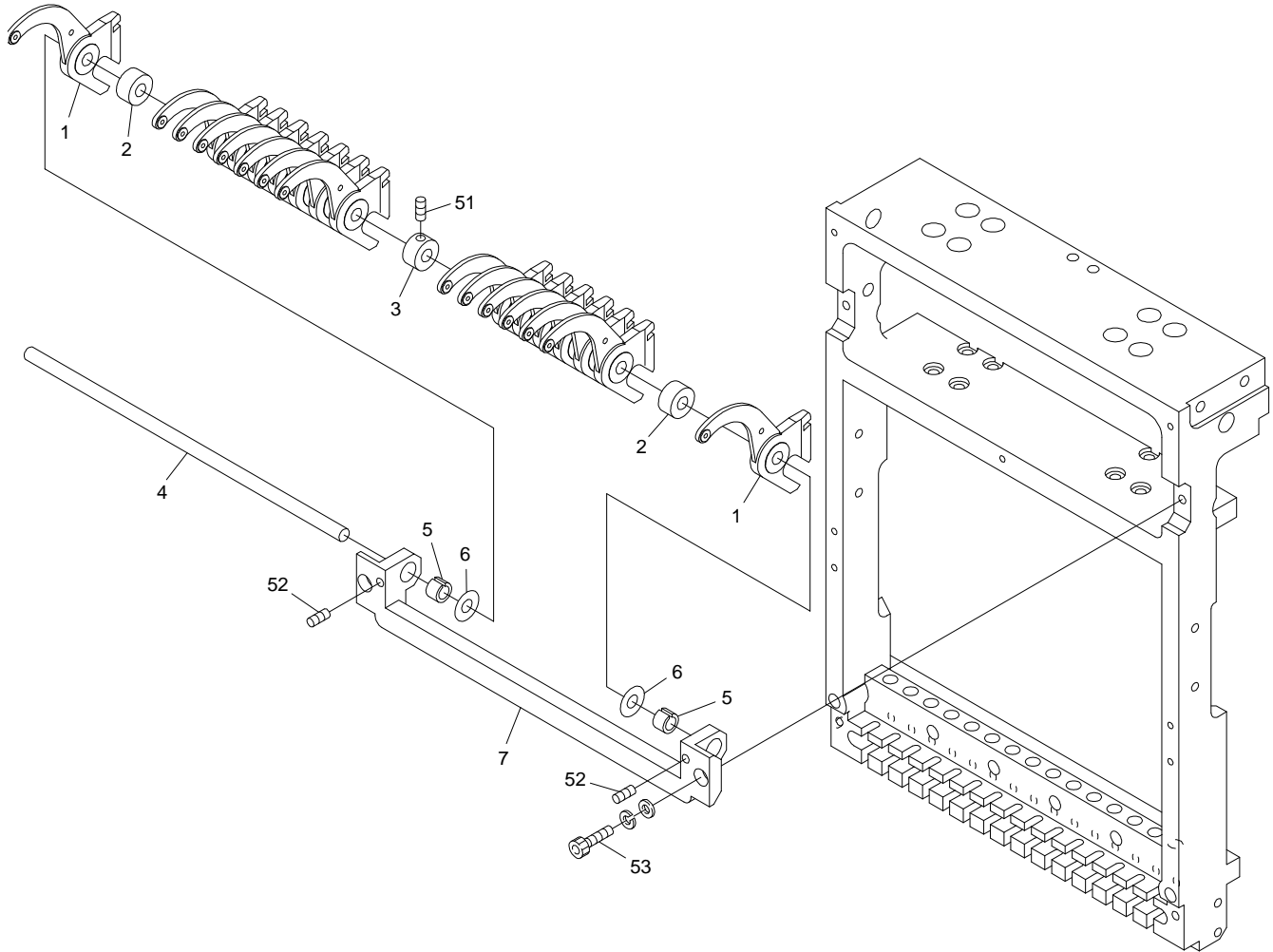
BENSH-ZQ-B BENSH-ZQ-BS
 BENRH-ZQ-B BENRH-ZQ-BS

BEDSH-ZQ-BS BENYH-ZQ-A BENYHE-ZQ BENYHE-ZQ-B BENYHE-ZQ-C BEDYHE-ZQ-C
 BENBH-ZQ-A BENBHE-ZQ BENBHE-ZQ-B BENBHE-ZQ-C

02D THREAD CUT D

ITEM	LIST NO.	DESCRIPTION	Q'TY	NOTE
1	RD270050	Thread support apron a'ssy	Hx1	
2	KF230582	Thread way guide(For thread support apron)	Hx15	
3	KX270120	Thread support spring	Hx15	
4	KX270090	Thread support clamp	Hx15	
5	KX270110	Thread support pin	Hx15	
6	KX270100	Thread support block	Hx15	
7	KF250220	Thread guard disk	Hx3	
8	KF250241	Thread hook spring	Hx3	
9	KF250231	Thread guard spring holder	Hx3	
10	KF250250	Thread hook shaft screw	Hx3	
11	KX270340	Thread support a'ssy	Hx1	
12	LA270070	Thread support base	Hx1	
13	HT230520	Needle bar driver stopper	Hx1	
14	A9012368	Spacer(Bind bush)	Hx1	
15	KX270360	Thread support push rod	Hx1	
16	KX270320	Thread support push pin	Hx1	
17	KX270290	Thread support lever	Hx1	
18	KX270310	Thread support link	Hx1	
19	KX270300	Thread support lever pin	Hx1	
20	KX270350	Thread support return spring	Hx1	
21	A9056037	Keep solenoid TDS-K10SL(With cover)	Hx1	
22	HT270063	Thread support clamp set screw(YN)	Hx15	
23		Hex.socket button bolt M3x10 (With washers)		
24		Hex.socket bolt M4x12(With washers)		
25		Hex.socket set screw M5x8		
26		Hex.socket set screw M3x6		
27		Hex.socket bolt M3x6		
28		Hex.socket bolt M3x8(With washers)		
29		Hex.socket set screw M4x4		
30	A9012127	E-ring(3)	Hx1	
31		Hex.socket bolt M3x6(With plain washer)		
32	KC270101	Solenoid pin	Hx1	
33	RD270010	Thread support apron	Hx1	
34	RD270060	Thread support apron(With insulator)	Hx1	

03A Take up lever A

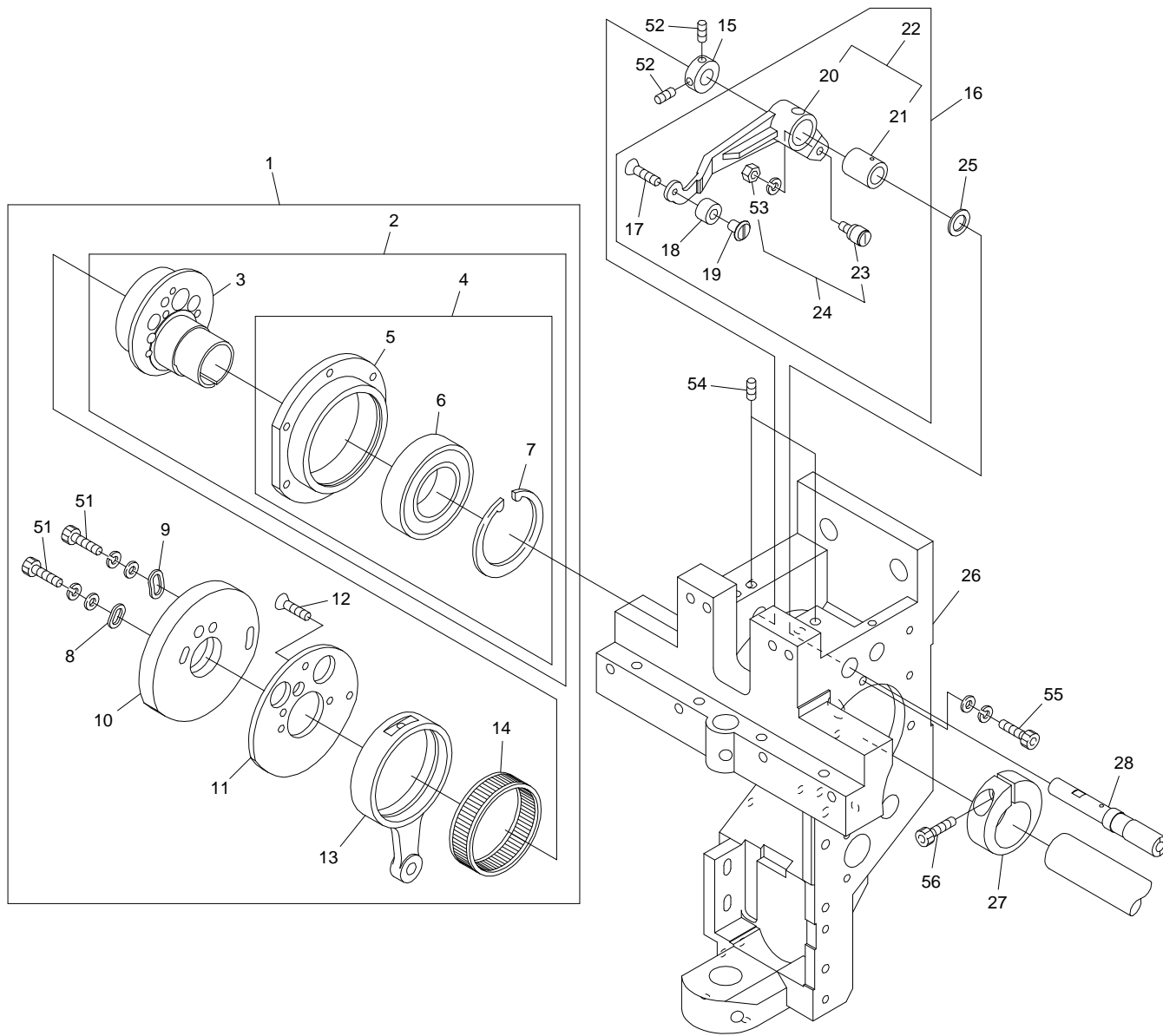


From the library of: Diamond Needle Corp

BENSH-ZQ-B BENSH-ZQ-BS
BENRH-ZQ-B BENRH-ZQ-BS

BEDSH-ZQ-BS BENYH-ZQ-A BENYHE-ZQ BENYHE-ZQ-B BENYHE-ZQ-C BEDYHE-ZQ-C
BENBH-ZQ-A BENBHE-ZQ BENBHE-ZQ-B BENBHE-ZQ-C

03B Take up lever B



From the library of: Diamond Needle Corp

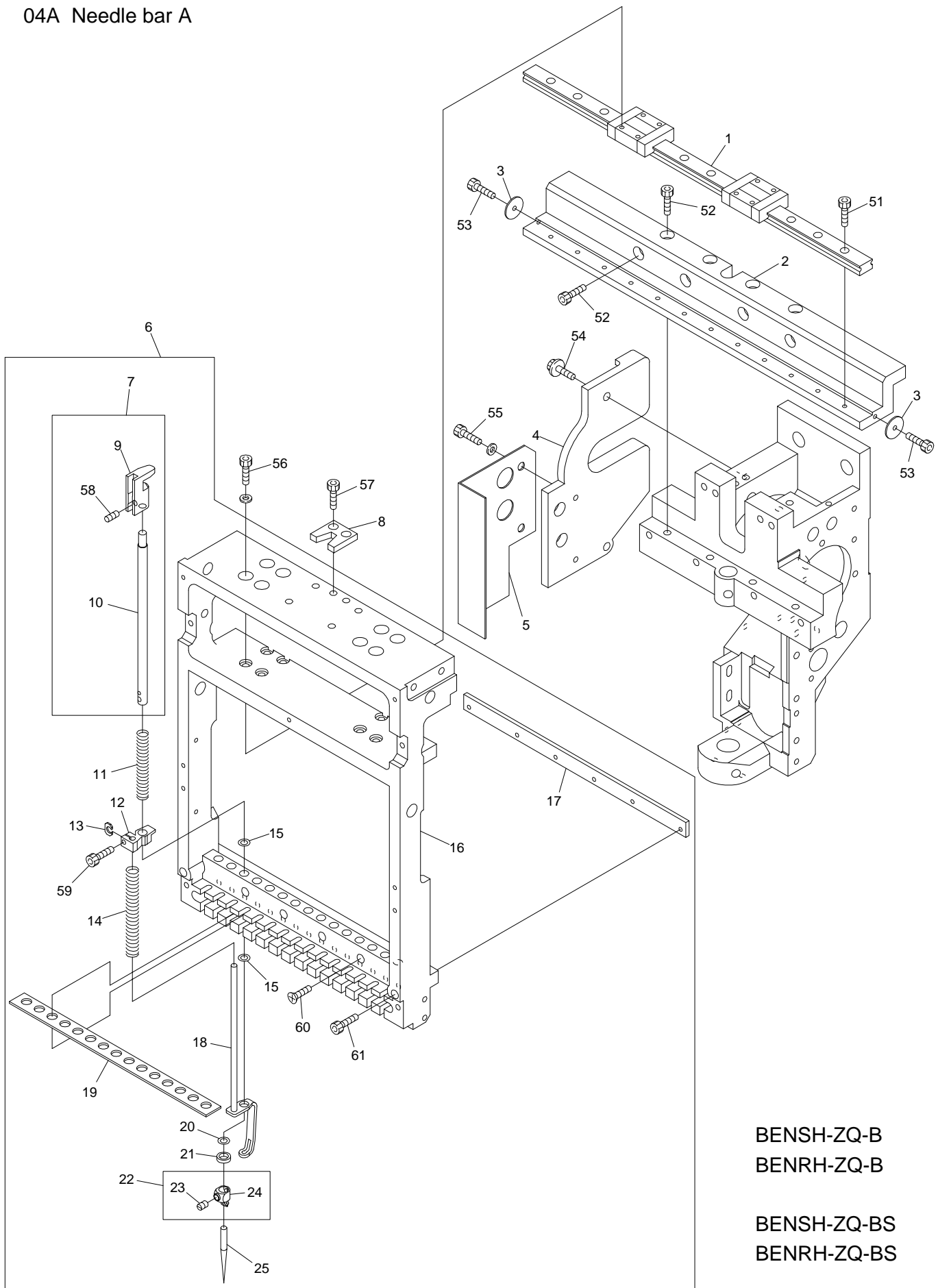
BENSH-ZQ-B BENSH-ZQ-BS
 BENRH-ZQ-B BENRH-ZQ-BS

BEDSH-ZQ-BS BENYH-ZQ-A BENYHE-ZQ BENYHE-ZQ-B BENYHE-ZQ-C BEDYHE-ZQ-C
 BENBH-ZQ-A BENBHE-ZQ BENBHE-ZQ-B BENBHE-ZQ-C

03B TAKE UP LEVER B

ITEM	LIST NO.	DESCRIPTION	Q'TY	NOTE
1	RN230000	Take up lever Needle bar drive a'ssy	Hx1	Small bobbin
	RN230061	Take up lever Needle bar drive a'ssy middle bobbin	Hx1	Middle bobbin
2	RN230010	Needle bar driving cam a'ssy	Hx1	
3	RN230020	Needle bar driving cam(Eccentric 9.2-Ø20)	Hx1	
4	RN230030	Bearing case a'ssy	Hx1	
5	RN230040	Bearing case	Hx1	
6	A9010073	Ball bearing(6005ZZ)	Hx1	
7	A9012421	C-ring for hole Ø47	Hx1	
8	HB230070	Washer for cam(1)	Hx1	
9	HB230080	Washer for cam(2)	Hx1	
10	RH230290	Take up lever cam H6 (Ø20)	Hx1	Small bobbin
	RN230071	Take up lever cam J2(Ø20)	Hx1	Middle bobbin
11	RH230300	Take up lever cam base	Hx1	
12	HB230620	Flush screw	Hx3	
13	RH230280	Needle bar crank rod	Hx1	
14	RH230271	Needle bearing	Hx1	
15	HB230800	Driving shaft set collar	Hx1	
16	RV230070	Take up lever driving lever a'ssy	Hx1	
17	HB230650	Flush screw (With adhesion)	Hx1	
18	RV230060	Take up lever driving roller	Hx1	
19	RD230130	Take up lever driving roller shaft	Hx1	
20	RH230311	Take up lever driving lever	Hx1	
21	RH230810	Take up lever metal	Hx1	
22	RH230801	Take up lever driving lever(Metal)	Hx1	
23	KF230680	Cam followers(KR×4×7.9×15-1P×1)	Hx1	
24	KF230501	Take up lever roller a'ssy	Hx1	
25	RH230610	Thrust washer	Hx1	
26	RV210000	Arm	Hx1	
27	RH230330	Needle bar driving cam set collar	Hx1	
28	RH230320	Take up lever driving lever fixing pin	Hx1	
51		Hex.socket bolt M4×8		
52		Hex.socket set screw M4×4(With adhesion)		
53		Hex.nut M4(With spring washer)		
54		Hex.socket set screw M5×10		
55		Hex.socket bolt M4×15(With washers)		
56		Hex.socket bolt M5×18		

04A Needle bar A



From the library of: Diamond Needle Corp

BENSH-ZQ-B
BENRH-ZQ-B

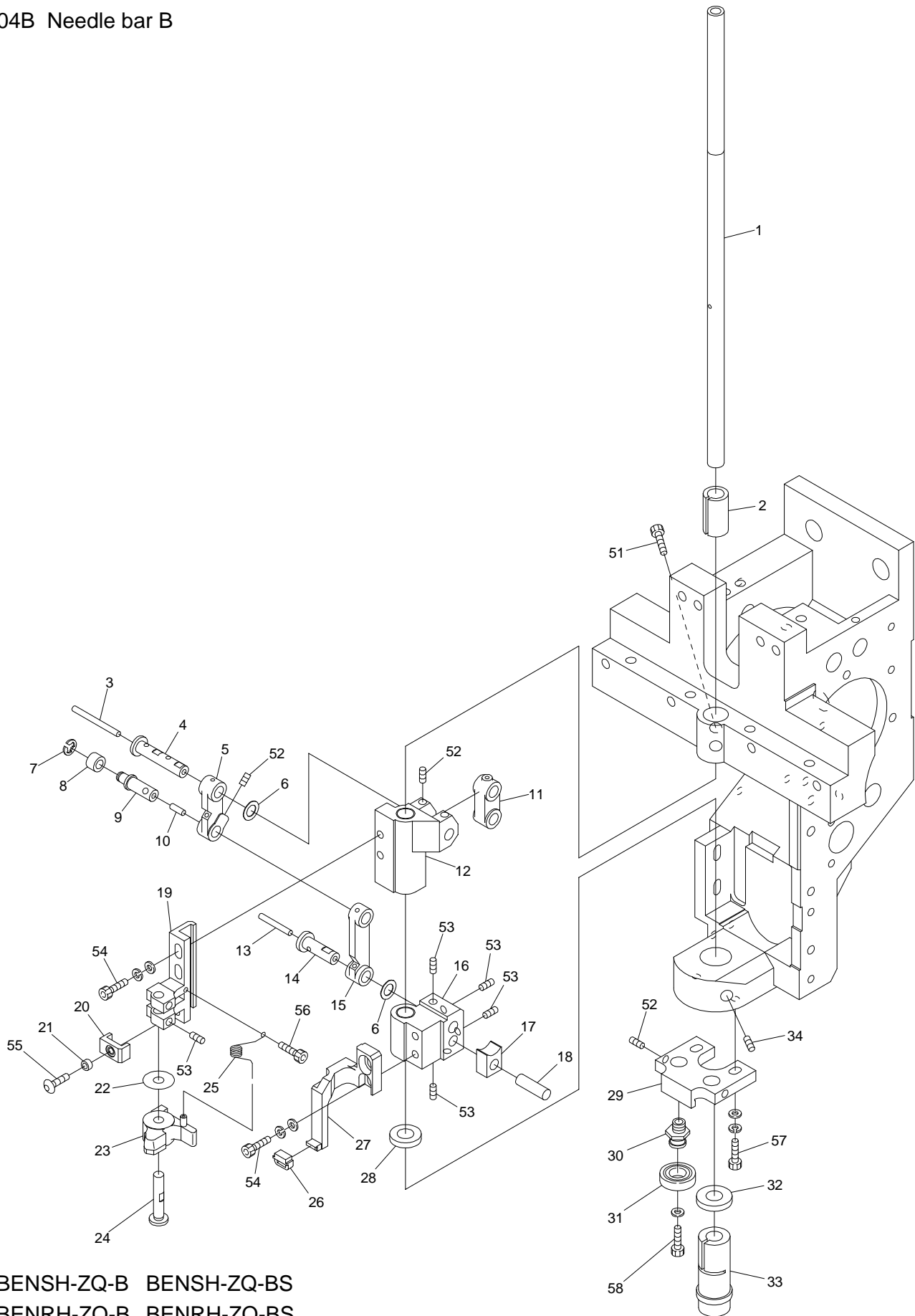
BENSH-ZQ-BS
BENRH-ZQ-BS

BEDSH-ZQ-BS BENYH-ZQ-A BENYHE-ZQ BENYHE-ZQ-B BENYHE-ZQ-C BEDYHE-ZQ-C
BENBH-ZQ-A BENBHE-ZQ BENBHE-ZQ-B BENBHE-ZQ-C

04A NEEDLE BAR A

ITEM	LIST NO.	DESCRIPTION	Q'TY	NOTE
1	RD230020	LM guide	Hx1	
2	RD230031	Base plate(BEMAX)	Hx1	
3	KX230192	LM stopper	Hx2	
4	RD230180	Arm support fixing bracket	Hx1	
5	RV250060	Head side cover(Left)	1	Last head,DSH
	RD250080	Head side cover(Left)	1	Last head,Except for DSH
6	RV230120	Slide block a'ssy(ZQ5)	H-1	Except for first head
	RV230040	Slide block a'ssy(ZQ5) Color change	1	First head
7	RD230480	Needle bar a'ssy	Hx15	
8	RD230170	Slide block fixing plate	Hx1	
9	RD230490	Needle bar guide	Hx15	
10	RH230410	Needle bar	Hx15	
11	KV230040	Needle bar spring(Upper,for thick type)	Hx15	
12	HT230330	Cloth hold set clamp	Hx15	
13	HT230263	Washer for set clamp	Hx15	
14	KX230251	Needle bar spring lower(ZN) Plating	Hx15	
15	KF230920	O-ring(Large)	Hx30	
16	RV230010	Slide block(ZQ5)	H-1	Except for first head
	RV230130	Slide block(ZQ5) Color change	1	First head
17	RD230060	Bearing plate	Hx1	
18	RD230370	Cloth hold(ZQ4)	Hx15	
19	RV230030	Needle bar felt(ZQ5)	Hx1	
20	KF230910	O-ring(AN6227-5)	Hx15	
21	HT230120	Washer 2.4	Hx15	
22	RH230440	Needle clamp(With hook,set screw)	Hx15	
23	RH230460	Needle clamp screw	Hx15	
24	RH230450	Needle clamp(With hook)	Hx15	
25	FN070011SNY	Needle(DBXK5-NY11S)	Hx15	
51		Hex.socket bolt M3x8		
52		Hex.socket bolt M5x15		
53		Hex.socket button bolt M3x6		
54		Hex.socket flange bolt M4x12		
55		Hex.socket bolt M4x10(With plain washer)		Last head
56		Hex.socket bolt M3x8(With plain washer)		
57		Hex.socket flush screw M5x20		
58		Hex.socket double point screw M4x4		
59		Hex.socket bolt M3x8		
60		Hex.socket flush screw M3x25		
61		Hex.socket bolt M3x25		

04B Needle bar B



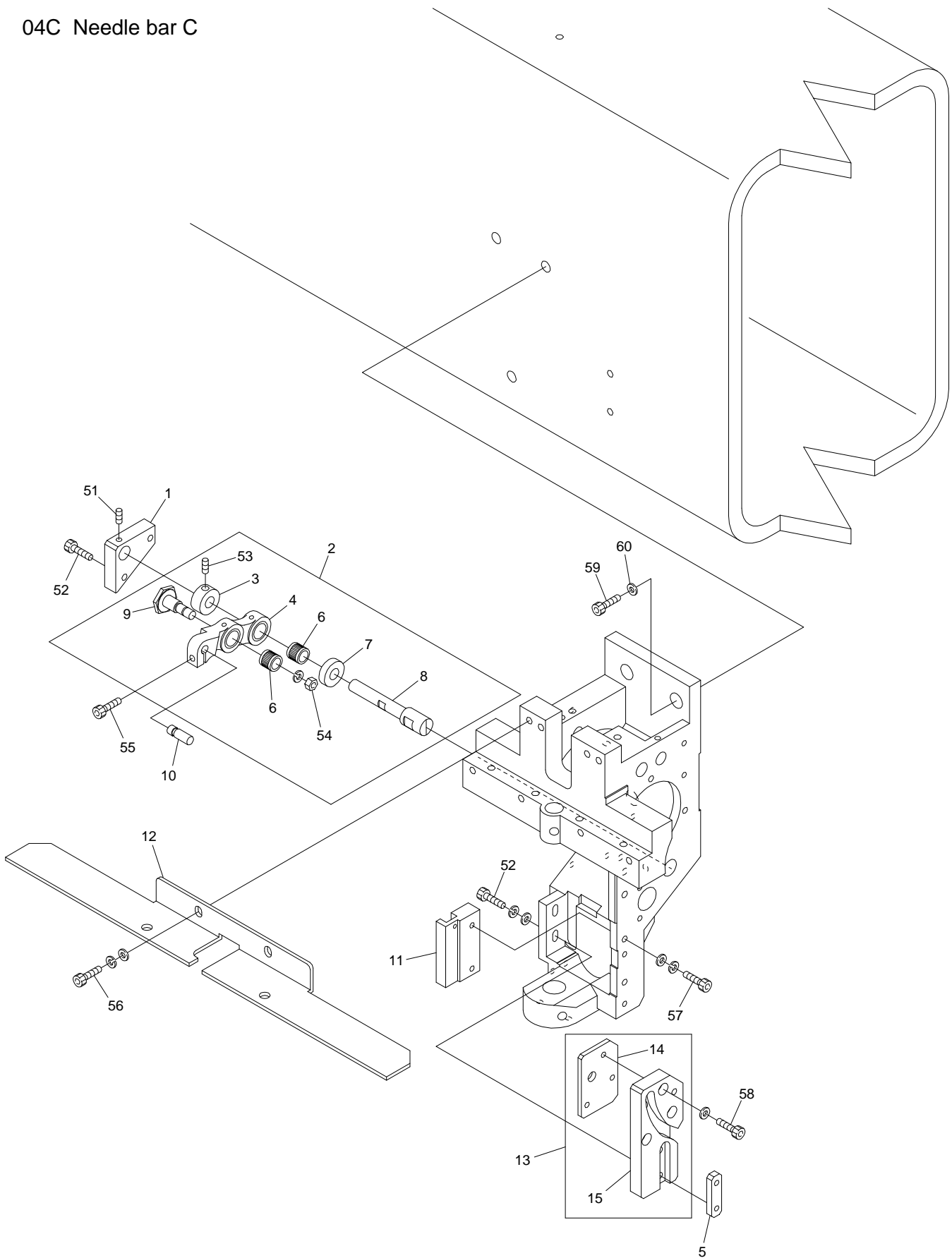
BENSH-ZQ-B BENSH-ZQ-BS
 BENRH-ZQ-B BENRH-ZQ-BS

BEDSH-ZQ-BS BENYH-ZQ-A BENYHE-ZQ BENYHE-ZQ-B BENYHE-ZQ-C BEDYHE-ZQ-C
 BENBH-ZQ-A BENBHE-ZQ BENBHE-ZQ-B BENBHE-ZQ-C

04B NEEDLE BAR B

ITEM	LIST NO.	DESCRIPTION	Q'TY	NOTE
1	RV230020	Drive shaft(ZQ5)	Hx1	
2	RD230150	Drive shaft bush(Upper)	Hx1	
3	HT230750	Oil core(30mm)	Hx1	
4	HT230471	Small link pin	Hx1	
5	HT230491	Link(Small)	Hx1	
6	HT230730	Shim ring(Ø10 t=0.3)	Hx2	
7	A9012127	E-ring(Ø3)	Hx1	
8	KF230530	Roller(For take up lever)	Hx1	
9	HT230450	Link roller joint pin	Hx1	
10	HT230760	Oil core(8mm)	Hx1	
11	HB230200	Needle bar driving link	Hx1	
12	HT230510	Needle bar driver slide block	Hx1	
13	HT230770	Oil core(20mm)	Hx1	
14	HT230460	Large link pin	Hx1	
15	HT230480	Link(Large)	Hx1	
16	HT230500	Set slide block	Hx1	
17	HP231370	Square ball	Hx1	
18	HT230320	Square ball pin	Hx1	
19	HT230290	Needle bar beat fixing base	Hx1	
20	HT230520	Needle bar driving stopper	Hx1	
21	A9012368	Spacer(Roll bush)	Hx1	
22	RH230550	Shim ring	Hx1	
23	RH230540	Needle bar driver	Hx1	
24	HT230280	Needle bar driver pin	Hx1	
25	HT230560	Needle bar driver return spring	Hx1	
26	HT230340	Cloth hold support rubber	Hx1	
27	RV230250	Cloth hold support	Hx1	
28	RD230240	Drive shaft felt(Upper)	Hx1	
29	RD230050	Bearing guide	Hx1	
30	KX230050	Bearing pin	Hx2	
31	A9010065	Ball bearing 686zz	Hx2	
32	RD230230	Drive shaft felt(Lower)	Hx1	
33	KX230080	Drive shaft bush(Lower)	Hx1	
34	A9012053	Hex.socket set screw(With steel ball) M6x0.7x8	Hx2	
51		Hex.Socket bolt M5x20		
52		Hex.socket set screw M4x6(With nylon)		
53		Hex.socket set screw M4x4(With nylon)		
54		Hex.socket bolt M4x12(With washers)		
55		Hex.socket button bolt M3x6		
56		Hex.Socket bolt M2.5x6		
57		Hex.socket bolt M4x15(With washers)		
58		Hex.socket bolt M4x6(With plain washer)		

04C Needle bar C

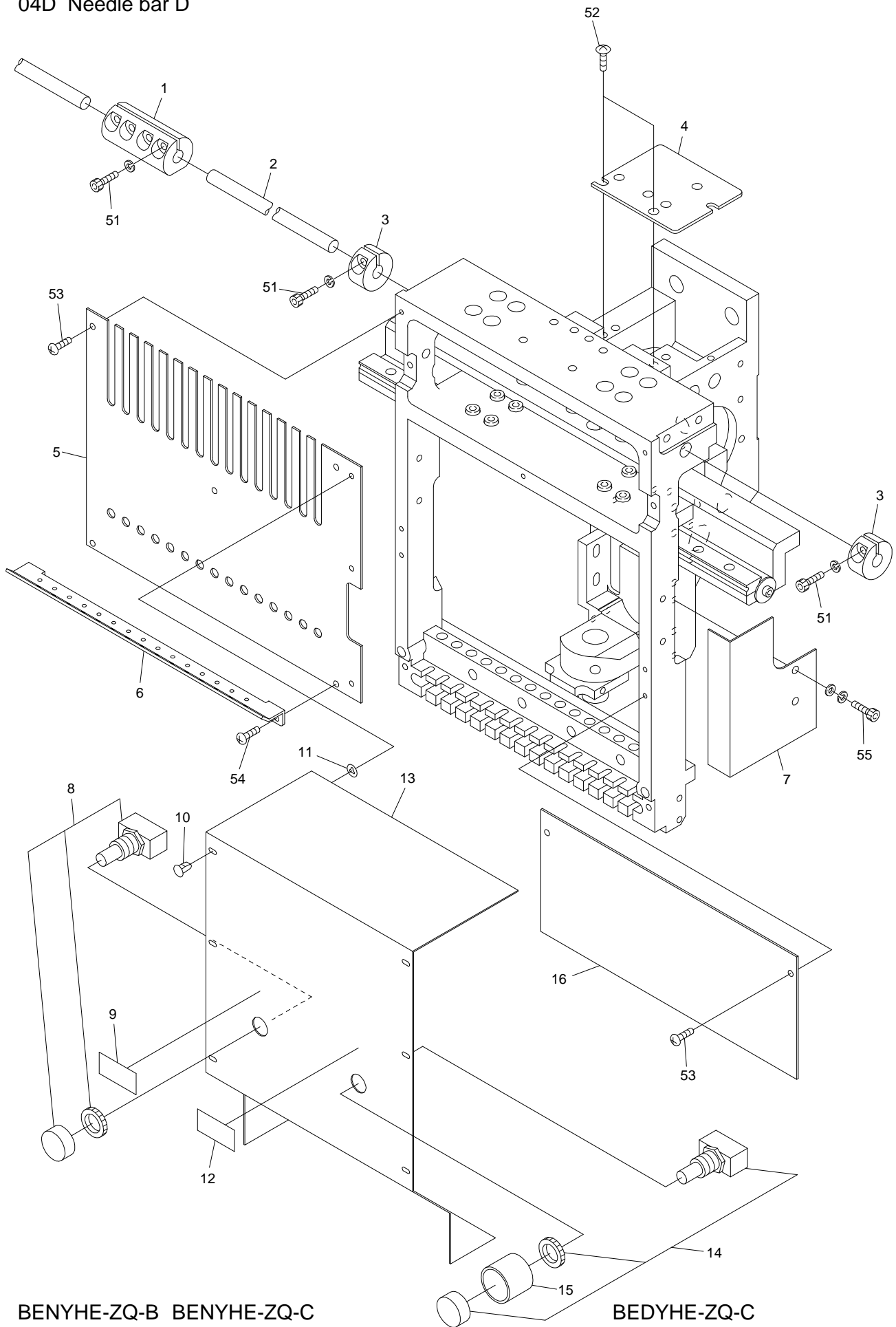


BENSH-ZQ-B BENSH-ZQ-BS
 BENRH-ZQ-B BENRH-ZQ-BS

BEDSH-ZQ-BS BENYH-ZQ-A BENYHE-ZQ BENYHE-ZQ-B BENYHE-ZQ-C BEDYHE-ZQ-C
 BENBH-ZQ-A BENBHE-ZQ BENBHE-ZQ-B BENBHE-ZQ-C

ITEM	LIST NO.	DESCRIPTION	Q'TY	NOTE
1	HT230590	Lever pin block	Hx1	
2	RV230200	Needle bar driving lever set(P25.8)	Hx1	
3	HB230271	Needle bar driving lever fixing pin set collar	Hx1	
4	RV230190	Needle bar driving lever(P25.8)	Hx1	
5	HT230380	Cam tap plate	Hx1	
6	HB230361	Needle roller with retainer(KV8x11x10SV2)	Hx2	
7	HB230281	Needle bar driving lever fixing pin collar	Hx1	
8	HT230410	Needle bar driving lever fixing pin	Hx1	
9	HB230261	Needle bar driving lever connecting pin	Hx1	
10	HB230220	Needle bar driving lever pin(B)	Hx1	
11	HT230420	Guide plate	Hx1	
12	RV230180	Take up lever stocker(ZQ5)	Hx1	
13	HT230610	Cloth hold cam a'ssy	Hx1	
14	HT230600	Cam back up plate	Hx1	
15	HT230720	Cloth hold cam(K2)	Hx1	
51		Hex.socket set screw M4x4(With nylon)		
52		Hex.socket bolt M4x15(With washers)		
53		Hex.socket set screw M5x5		
54		Hex.nut M6(With spring washer)		
55		Hex.socket bolt M4x14(With adhesive)		
56		Hex.socket bolt M5x15(With washers)		
57		Hex.socket bolt M4x18(With washers)		
58		Hex.socket bolt M4x8		
59		Hex.Socket bolt M8x25		
60		Disk spring M8		

04D Needle bar D



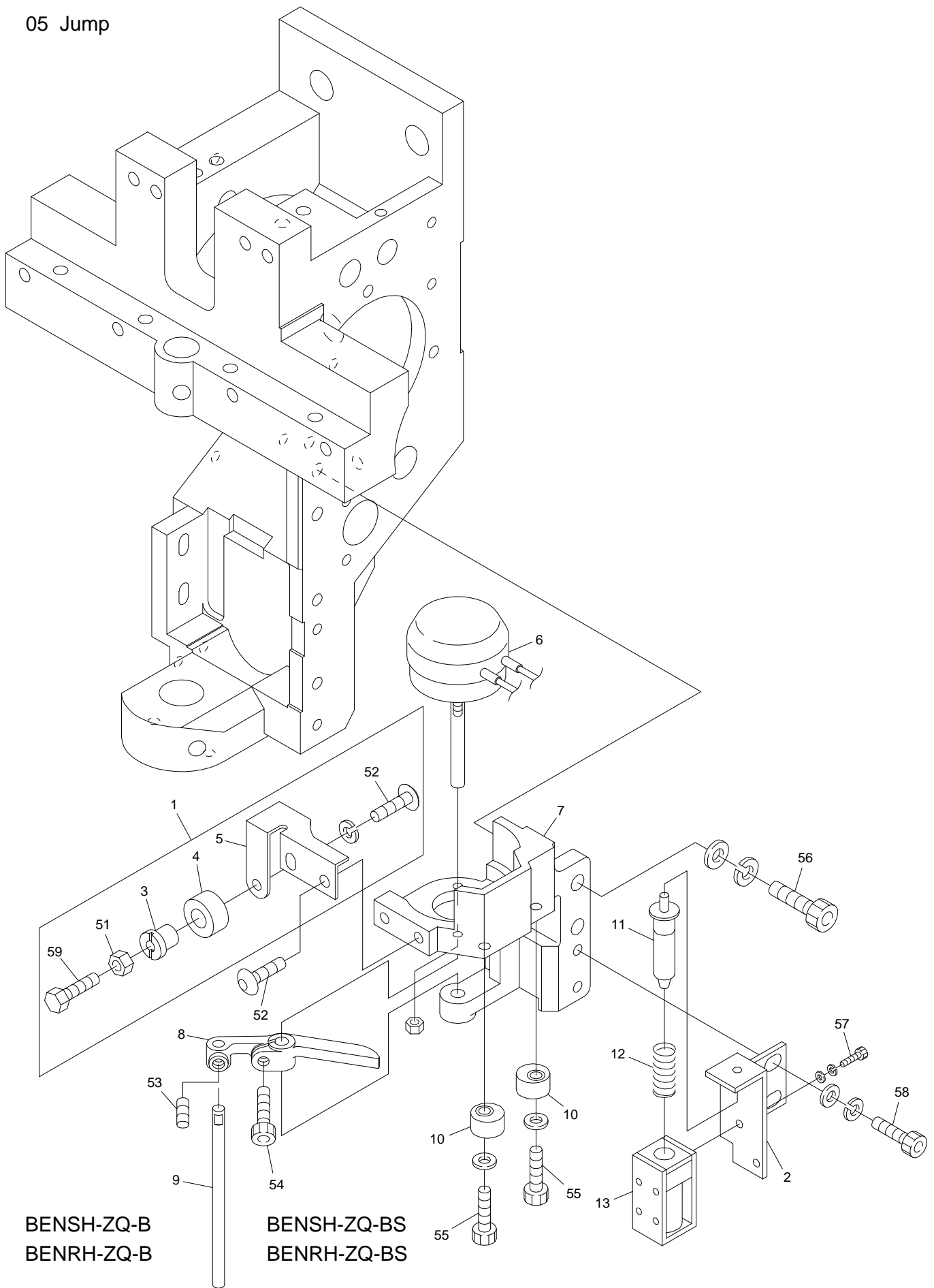
BENYHE-ZQ-B BENYHE-ZQ-C
 BENBHE-ZQ-B BENBHE-ZQ-C

BEDYHE-ZQ-C

04D NEEDLE BAR D

ITEM	LIST NO.	DESCRIPTION	Q'TY	NOTE
1	LA330160	Rod joint	2	
2	KX330020	Connecting rod	1	
3	RD230111	Decided position collar	Hx2	
4	RV250070	Arm upper cover	Hx1	
5	RV250011	Front cover upper	H-2	
	RV250021	Front cover upper(First head)	1	
	RV250031	Front cover upper(Last head)	1	
6	RD240271	Thread hanger(With insulator)	Hx1	
7	RV250050	Head side cover(Right)	Hx1	First head
8	A9052081	Push button switch(SB-221 N/O,AT-412R)	2	
9	SF250150	Name plate(Stop)	2	
10	A9014154	Canoe clip(TL-180-2) Primary colors	4xH-4	
11	A9014155	Washer(TM-147-1)	4xH-4	
12	SF250140	Name plate(Start)	2	
13	SJ250010	Cover between cover DYHE-ZQ,P=520		
	SJ250030	Cover between cover DYHE-ZQ,P=380		
	SJ250000	Cover between cover(ON/OFF with hole) DYHE-ZQ,P=520	2	
	SJ250020	Cover between cover(ON/OFF with hole) DYHE-ZQ,P=380	2	
14	A9052080	Push button switch(SB-221 N/O,AT-412M)	2	
15	KX510140	Switch cover	2	
16	RV250040	Front cover Lower	Hx1	
51		Hex.socket bolt M4x16(With spring washer)		
52		Truss screw M5x6		
53		Pan screw M3x6		
54		Pan screw M3x8		
55		Hex.socket bolt M4x5		

05 Jump



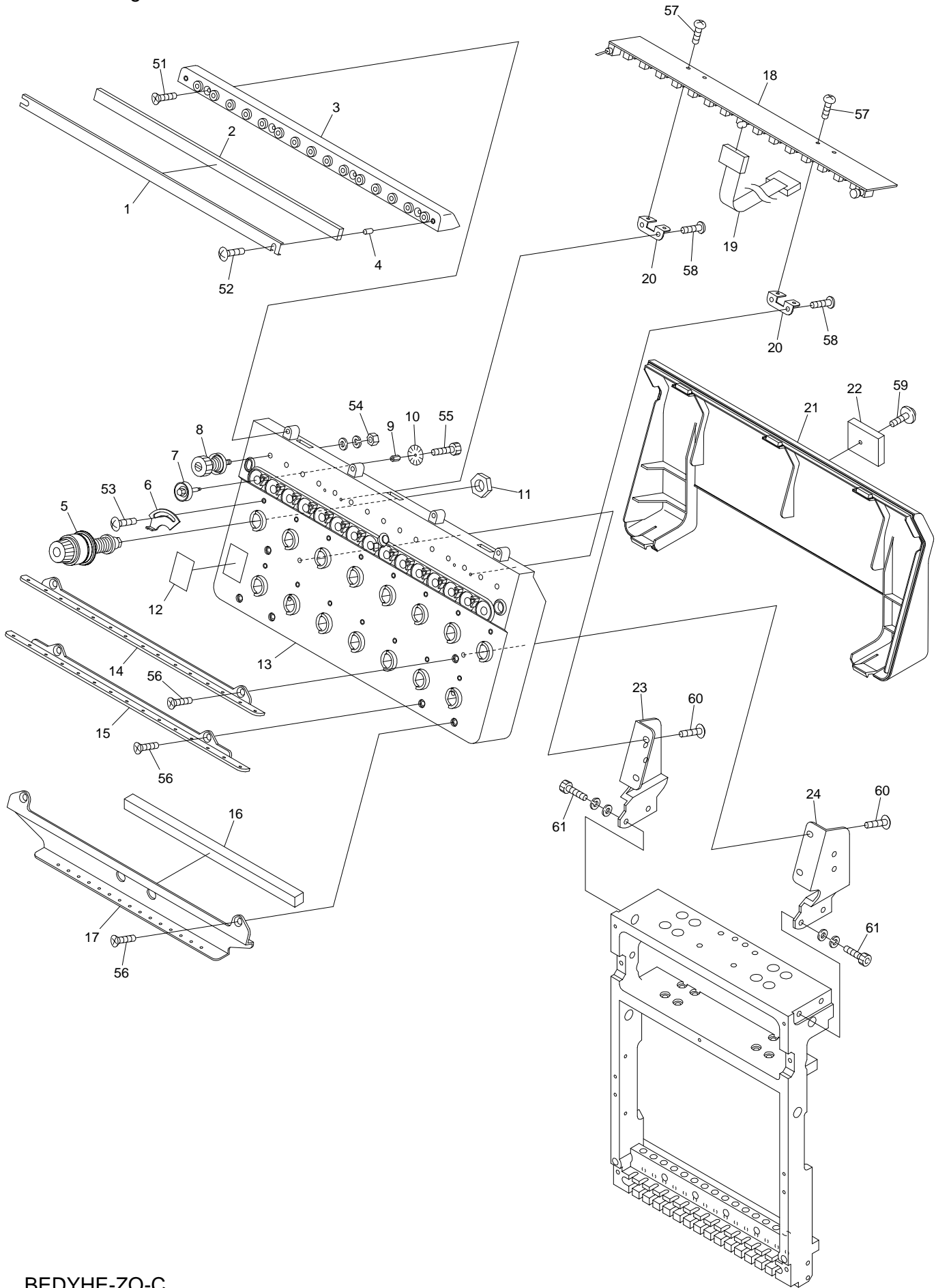
From the library of: Diamond Needle Corp

BENSJ-ZQ-B
BENRH-ZQ-B

BENSJ-ZQ-BS
BENRH-ZQ-BS

BEDSH-ZQ-BS BENYH-ZQ-A BENYHE-ZQ BENYHE-ZQ-B BENYHE-ZQ-C BEDYHE-ZQ-C
BENBH-ZQ-A BENBHE-ZQ BENBHE-ZQ-B BENBHE-ZQ-C

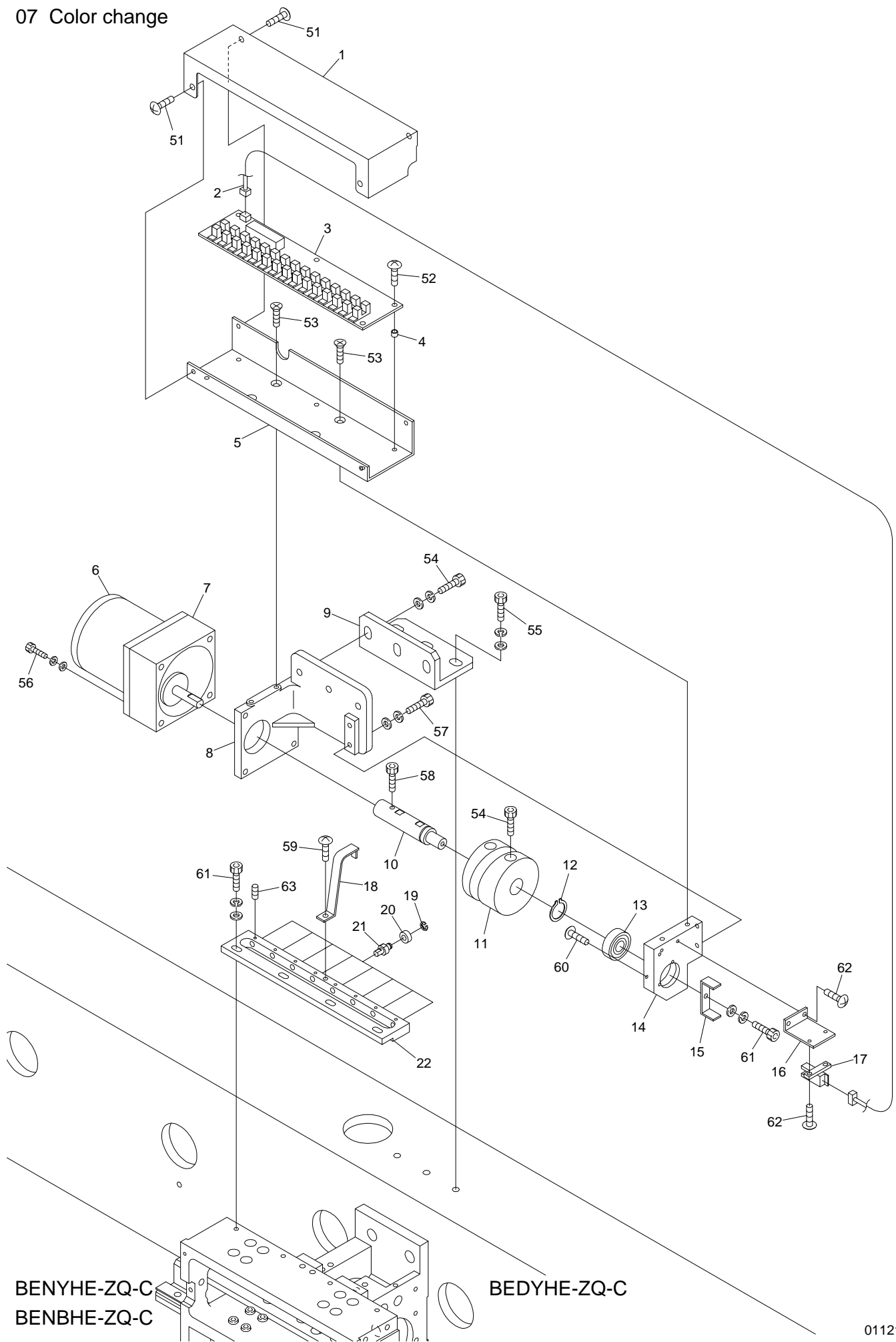
06 Thread guide



From the library of: Diamond Needle Corp

ITEM	LIST NO.	DESCRIPTION	Q'TY	NOTE
1	RV240100	Felt frame(DSH-ZQ)	Hx1	
2	RV240110	Felt(DSH-ZQ)	Hx1	
3	RV240020	Thread collar base(DSH-ZQ)	Hx1	
4	A9012438	Felt hold spacer(DSH-ZQ)	Hx2	
5	RD240154	Dial tension a'ssy(DS)	Hx15	
6	RR240510	Thread spring adjusting plate	Hx15	
7	HT240290	Tension wheel a'ssy	Hx15	
8	RR240300	Tension a'ssy(DS)	Hx15	
9	KN540510	Tension wheel nut	Hx15	
10	HT240101	Lower thread detection sensor disk(YN)	Hx15	
11	HT240180	SM-nut	Hx15	
12	RR240390	Number label	Hx1	
13	RV240010	Tension base case a'ssy(DSH-ZQ)	Hx1	
14	RV240040	Thread guide plate upper(DSH-ZQ)	Hx1	
15	RV240050	Thread guide plate lower(DSH-ZQ)	Hx1	
16	RV240090	Sponge rubber(DSH-ZQ)	Hx1	
17	RV240061	Second thread guide plate(DSH-ZQ)	Hx1	
18	EBY02610	8560-switch board with thread detection	Hx1	
19	EBY01625	H1842 16 needle flat cable	Hx1	
20	RR240330	Switch board fixed base	Hx2	
21	SJ240010	Tension base cover(DYHE-ZQ)	Hx1	
22	A9068032	FCW clamp(FCW-26)	Hx1	
23	RV240080	Tension base bracket-L(DSH-ZQ)	Hx1	
24	RV240070	Tension base bracket-R(DSH-ZQ)	Hx1	
51		Flush screw M3x8		
52		Truss screw M3x14		
53		Truss screw M3x5		
54		Hex.nut SM11/64(With washers)		
55		Hex.socket bolt M2x3		
56		Flush screw M4x8		
57		Pan screw M3x4		
58		Pan head tapping screw B tight M3x8		
59		Pan screw for flange M3x8		
60		Truss screw M4x10		
61		Hex.socket bolt M5x10(With washers)		

07 Color change



From the library of: Diamond Needle Corp

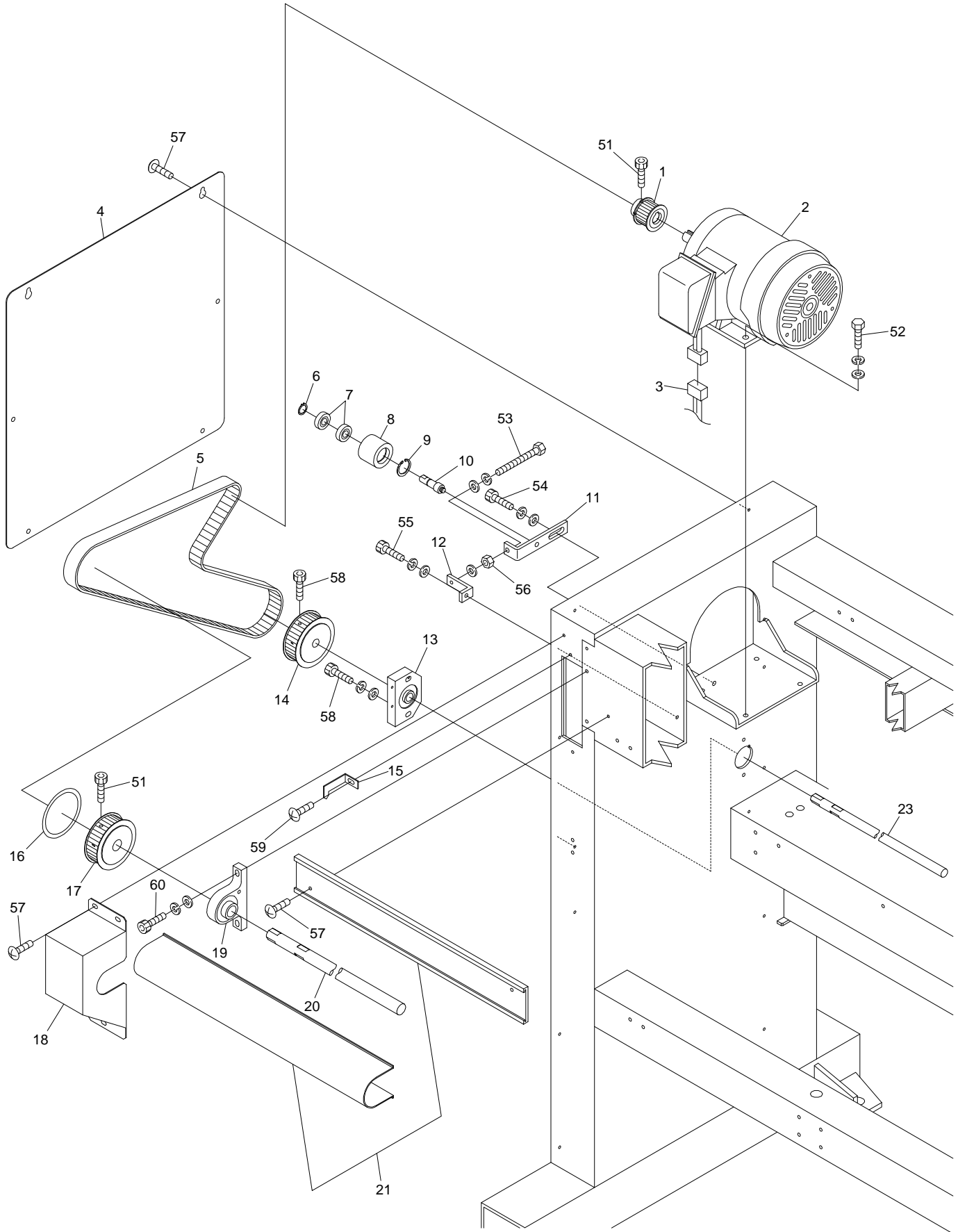
BENYHE-ZQ-C
BENBHE-ZQ-C

BEDYHE-ZQ-C

07 COLOR CHANGE

ITEM	LIST NO.	DESCRIPTION	Q'TY	NOTE
1	SC330110	Color change cover	1	
2	A9053079	Lock sensor cable Z type	1	
3	EBY01650	Color change board	1	
4	A9012208	Spacer(Roll bush) Ø5×4L	5	
5	SC330100	Color change board base plate	1	
6	A9065092	Reversible motor 3RJ10GB-AUL-E4	1	
7	A9065093	Gear head 3GB18K	1	
8	SC330080	Color change base	1	
9	SJ330020	Color change bracket(DYHE)	1	
10	SC330040	Color change cam connecting shaft	1	
11	SC330010	Color change cam(Compact)	1	
12	A9012068	C-ring(For shaft Ø15)	1	
13	A9010062	Bearing 6000ZZ	1	
14	SC330090	Color change bearing	1	
15	SC330050	Revolution sensor plate	1	
16	SC330060	sensor stay	1	
17	A9060063	Photo micro sensor EE-SX672A(OMRON)	1	
18	SC330120	Color change sense plate	1	
19	A9012127	E-ring Ø3	8	
20	A9010063	Bearing MR105ZZ(NSK)	8	
21	SC330030	Connecting collar shaft	8	
22	SC330020	Connecting block	1	
51		Truss screw M4×8(Uni chrome)		
52		Truss screw M4×8		
53		Flush screw M4×8		
54		Hex.socket bolt M6×15(Black)		
55		Hex.socket bolt M6×18(Black)		
56		Hex.socket bolt M4×60(With washers)		
57		Hex.socket bolt M4×8(Black)		
58		Hex.socket bolt M4×8		
59		Truss screw M4×6		
60		Truss screw M3×4		
61		Hex.socket bolt M4×15(Black)		
62		Truss screw M3×8		
63		Hex.socket set screw M3×4(With screw lock)		

08-1 Drive(2T/4T)



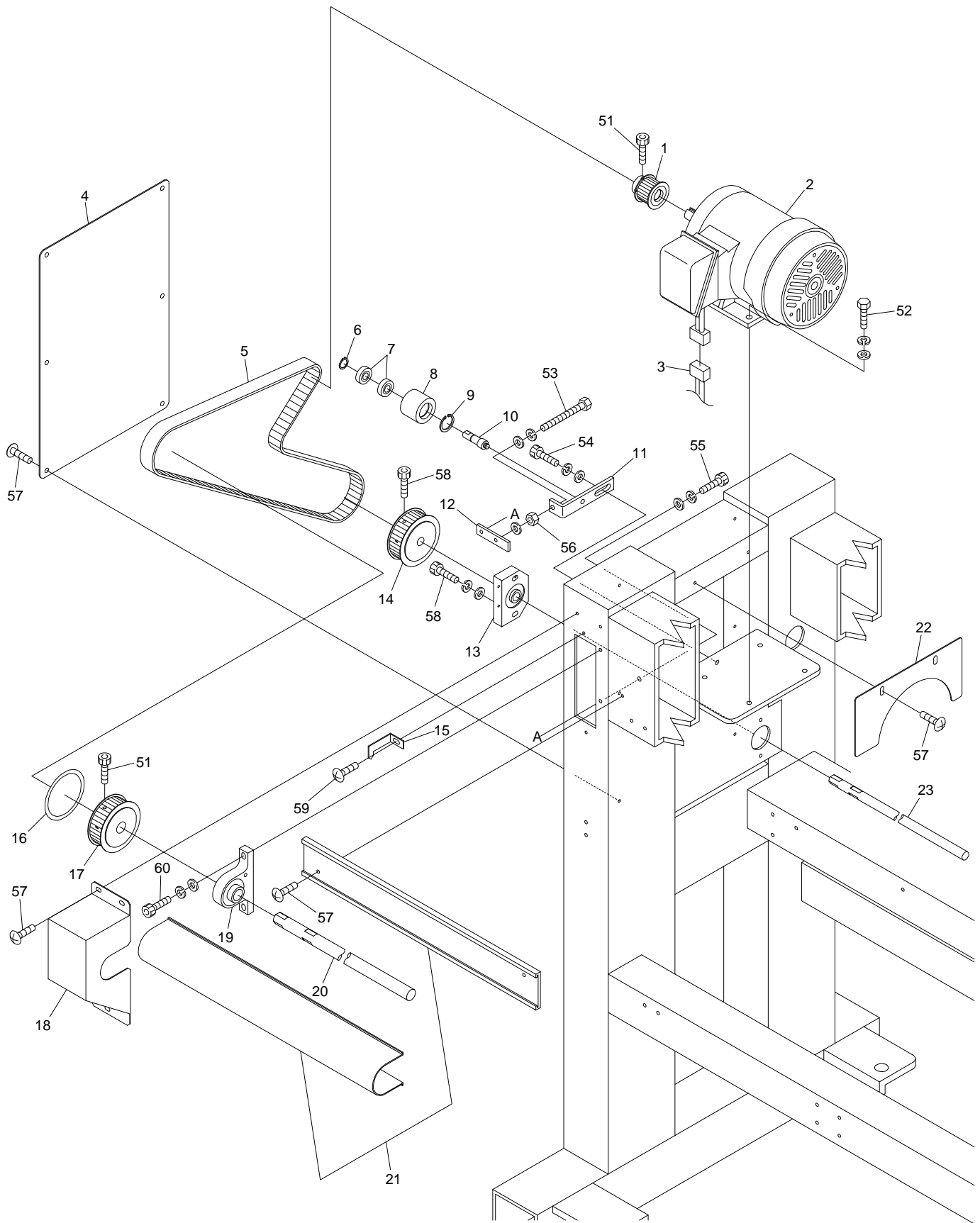
From the library of: Diamond Needle Corp

BENYHE-YN-C BEDYHE-YN-C BENYHE-ZQ-C BEDYHE-ZQ-C
BENBHE-YN-C BENBHE-ZQ-C

08-1 DRIVE (2T/4T)

ITEM	LIST NO.	DESCRIPTION	Q'TY	NOTE
1	SC481370	Motor pulley(S5M-26,0.2kw)	1	2T
	RP310170	Motor pulley(S5M-26)	1	4T
2	RA310380	Main motor 1K-FCKL8-4P-0.2kw(ETL)	1	2T
	RP310201	Main motor IK-FBKK8-4P-0.55kw VF3(ETL)	1	4T
3	A9053081	Motor cable 1.25x4x5m		
4	SJ160030	Frame upper cover	2	
5	A9020180	Timing belt B250S5M1420	1	
6	A9012066	C-ring(For hole Ø12)	1	
7	A9010003	Bearing 6001ZZ	2	
8	RQ310000	Idler	1	
9	A9012063	C-ring(For hole Ø28)	1	
10	SC310020	Idler shaft	1	
11	SC310030	Idler bracket	1	
12	SC310150	Tension bracket	1	
13	SC310060	Lower shaft housing	1	
14	SC310010	Ø15 lower shaft timing pulley(S5M-52)	1	
15	SC310050	Angle instructions plate	1	
16	SC310100	Rotary angle label	1	
17	SC310000	Ø20 upper shaft timing pulley(S5M-52)	1	
18	SC250000	Pulley box	1	NYHE
	SJ250040	Pulley box(DYHE)	1	DYHE
19	SC310070	Upper shaft housing	1	
20	SC310140	Upper shaft Ø20(For 2T)	1	2T
	SC310120	Upper shaft Ø20(For 4T)	1	4T
21	SJ130020	Shaft mogol & cover L(YN,P=520) DYHE	1	DYHE Left side
	SJ130030	Shaft mogol & cover C(YN,P=520) DYHE	1	DYHE Between heads 2T
			3	DYHE Between heads 4T
	SJ130040	Shaft mogol & cover R(YN,P=520) DYHE	1	DYHE Right side
	SJ130000	Shaft mogol & cover(P=520) DYHE-ZQ	1	DYHE(P=520)
SJ130010	Shaft mogol & cover(P=380) DYHE-ZQ	1	DYHE(P=380)	
22	SC310130	Lower shaft Ø15(For 2T)	1	2T
	SC310110	Lower shaft Ø15(For 4T)	1	4T
51		Hex.socket bolt M6x15(Black)		
52		Hex.bolt M8x20		
53		Hex.bolt M6x60(Full screw)		
54		Hex.socket bolt M8x20(Black)		
55		Hex.socket bolt M6x15(Uni chrome)		
56		Hex.nut M6		
57		Truss screw M5x10		
58		Hex.socket bolt M5x8		
59		Truss screw M5x6		
60		Hex.socket bolt M6x18(Black)		

08-2 Drive(6T)



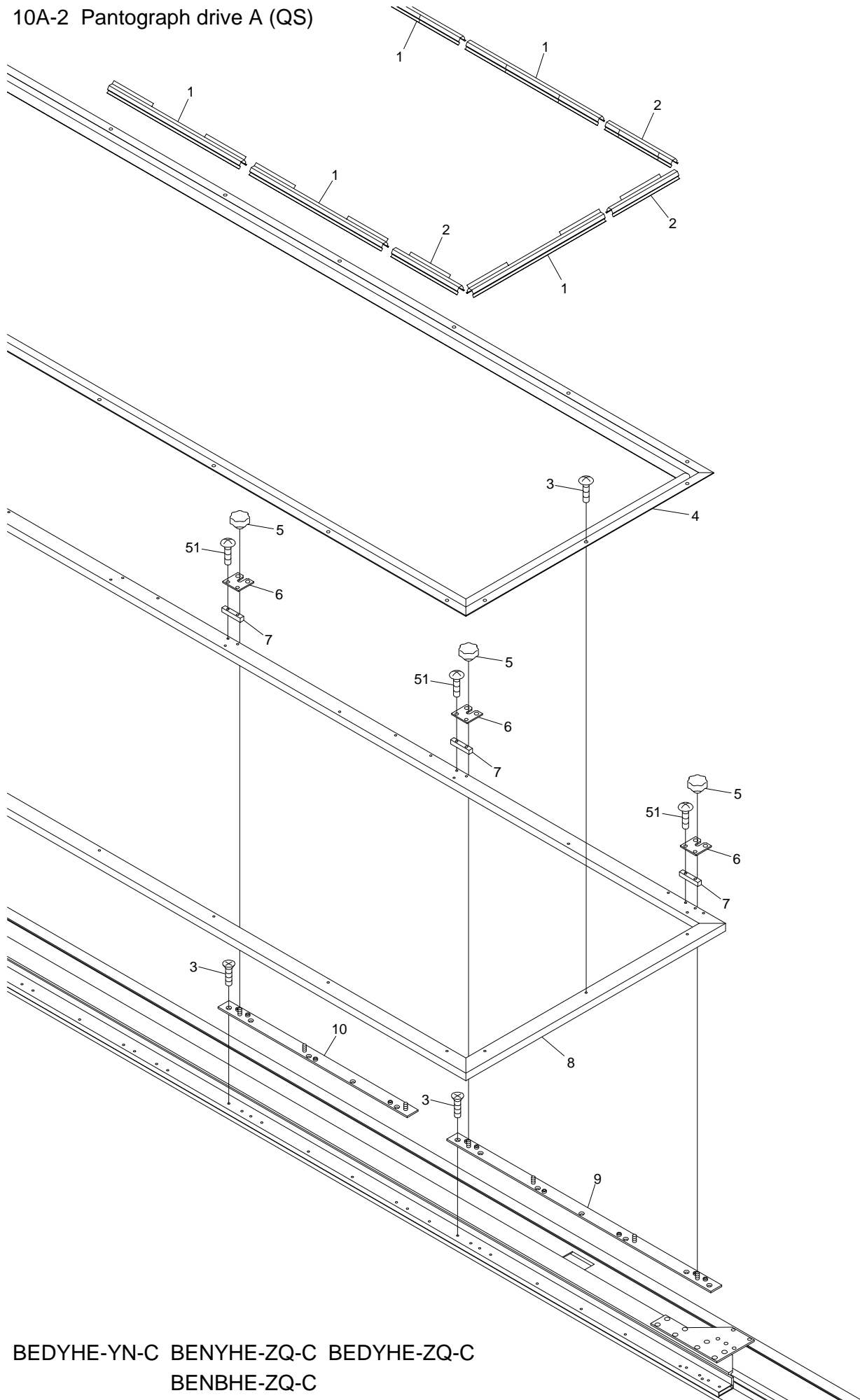
From the library of: Diamond Needle Corp

BENYHE-YN-C BEDYHE-YN-C BENYHE-ZQ-C BEDYHE-ZQ-C
BENBHE-YN-C BENBHE-ZQ-C

08-2 DRIVE (6T)

ITEM	LIST NO.	DESCRIPTION	Q'TY	NOTE
1	RP310170	Motor pulley(S5M-26)	1	
2	RP310201	Main motor IK-FBKK8-4P-0.55kw VF3(ETL)	1	
3	A9053081	Motor cable 1.25x4x5m		
4	SC160040	Stand cover	2	
5	A9020180	Timing belt B250S5M1420	1	
6	A9012066	C-ring(For hole Ø12)	1	
7	A9010003	Bearing 6001ZZ	2	
8	RQ310000	Idler	1	
9	A9012063	C-ring(For hole Ø28)	1	
10	SC310020	Idler shaft	1	
11	SC310030	Idler bracket	1	
12	SC310040	Tension plate	1	
13	SC310060	Lower shaft housing	1	
14	SC310010	Ø15 lower shaft timing pulley(S5M-52)	1	
15	SC310050	Angle instructions plate	1	
16	SC310100	Rotary angle label	1	
17	SC310000	Ø20 upper shaft timing pulley(S5M-52)	1	
18	SC250000	Pulley box	1	NYHE
	SJ250040	Pulley box(DYHE)	1	DYHE
19	SC310070	Upper shaft housing	1	
20	SC310090	Upper shaft Ø20	1	
21	SJ130020	Shaft mogol & cover L(YN,P=520)	1	DYHE Left side
	SJ130030	Shaft mogol & cover C(YN,P=520)	5	DYHE Between heads
	SJ130040	Shaft mogol & cover R(YN,P=520)	1	DYHE Right side
	SJ130000	Shaft mogol & cover(P=520) DYHE-ZQ	1	DYHE(P=520)
	SJ130010	Shaft mogol & cover(P=380) DYHE-ZQ	1	DYHE(P=380)
22	SC250010	Drive motor cover	1	NYHE
	SJ250080	Drive motor cover(DYHE)	1	DYHE
23	SC310080	Lower shaft Ø15	1	
51		Hex.socket bolt M6x15(Black)		
52		Hex.bolt M8x20		
53		Hex.bolt M6x60(Full screw)		
54		Hex.socket bolt M8x20(Black)		
55		Hex.socket bolt M6x15(Uni chrome)		
56		Hex.nut M6		
57		Truss screw M5x10		
58		Hex.socket bolt M5x8		
59		Truss screw M5x6		
60		Hex.socket bolt M6x18(Black)		

10A-2 Pantograph drive A (QS)



From the library of: Diamond Needle Corp

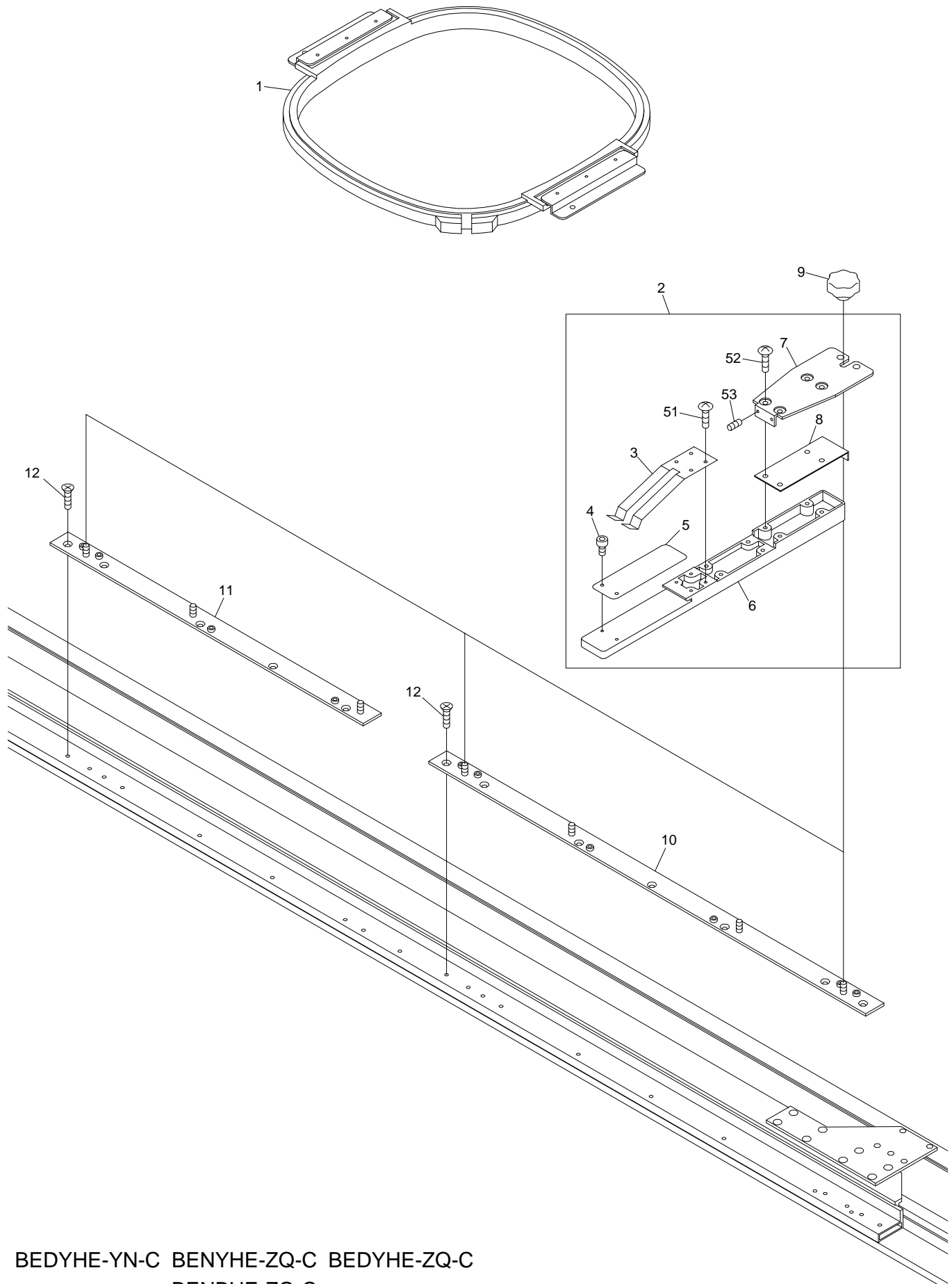
BEDYHE-YN-C BENYHE-ZQ-C BEDYHE-ZQ-C
BENBHE-ZQ-C

10A-2 PANTOGRAPH DRIVE A (QS)

ITEM	LIST NO.	DESCRIPTION	Q'TY	NOTE
1	KF730750	Clip(300L)	16	4T
			22	6T
2	KF730760	Clip(150L)	2	4T
			4	6T
3	KF730500	Truss screw SM11/64x10.5		
4	SC730050	Pantograph a'ssy(C04,P=520)	1	4T
	SC730010	Pantograph a'ssy(C06,P=520)	1	6T
5	A9012437	Knob nut(\varnothing 32 M6 tap hole)	H+1	
6	SC730041	Pantograph fixing plate	H+1	
7	SC730030	Pantograph fixed spacer B	H+1	
8	SC730060	Pantograph frame a'ssy(C04,P=520)	1	4T
	SC730000	Pantograph frame a'ssy(C06,P=520)	1	6T
9	SC730230	Base for QS(First head,P=520)	1	
10	SC730240	Base for QS(From second head,P=520)	H-1	
11	KX250080	Throat plate set screw(Hex.socket)	Hx5+2	
51		Truss screw M4x15		

From the library of: Diamond Needle Corp

10B Pantograph drive B (QS)



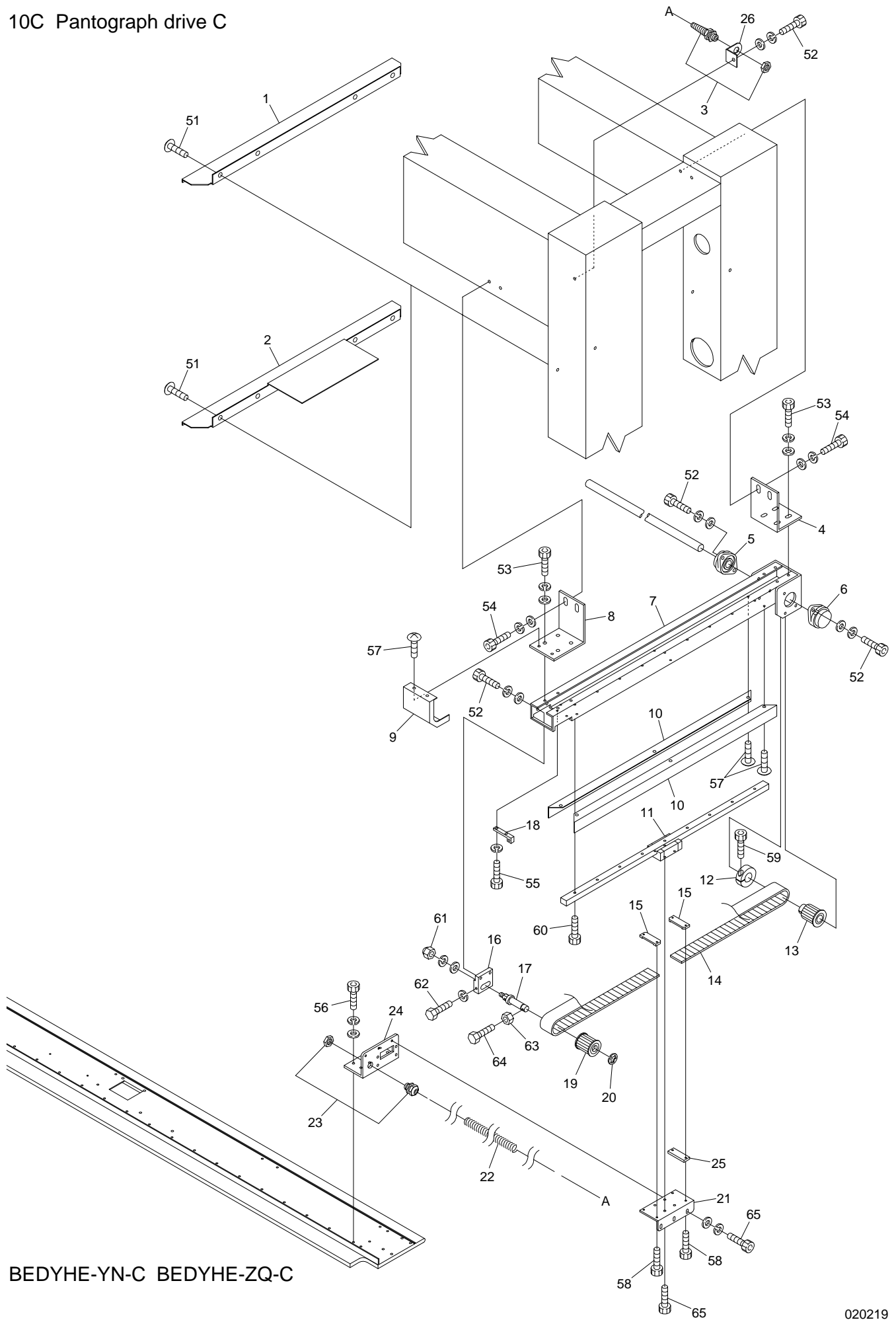
From the library of: Diamond Needle Corp

BEDYHE-YN-C BENYHE-ZQ-C BEDYHE-ZQ-C
BENBHE-ZQ-C

10B PANTOGRAPH DRIVE B (QS)

ITEM	LIST NO.	DESCRIPTION	Q'TY	NOTE
1	FR92460434A520S	Square pantograph a'ssy(460x434)	Hx1	4T
	FR92300290A380A	Square pantograph a'ssy(300x290)	Hx1	6T
2	SC730092	Product pantograph stay a'ssy for compact machine	H+1	
3	LA730650	Product pantograph hold spring	H+1	
4	LA730610	Positioning pin	Hx2+2	
5	LA730630	Slide plate	H+1	
6	LA730590	Pantograph stay main body	H+1	
7	SC730102	Stay bracket for compact machine	H+1	
8	SC730111	Spacer	H+1	
9	A9012437	Knob nut(Ø32 M6 tap hole)	H+1	
10	SC730230	Base for QS(First head,P=520)	1	
11	SC730240	Base for QS(From second head,P=520)	H-1	
12	KX250080	Throat plate set screw(Hex.socket)	Hx5+2	
51		Truss screw M3x10		
52		Truss screw M4x10		
53		Hex.socket set screw M3x8(With nylons)		

10C Pantograph drive C

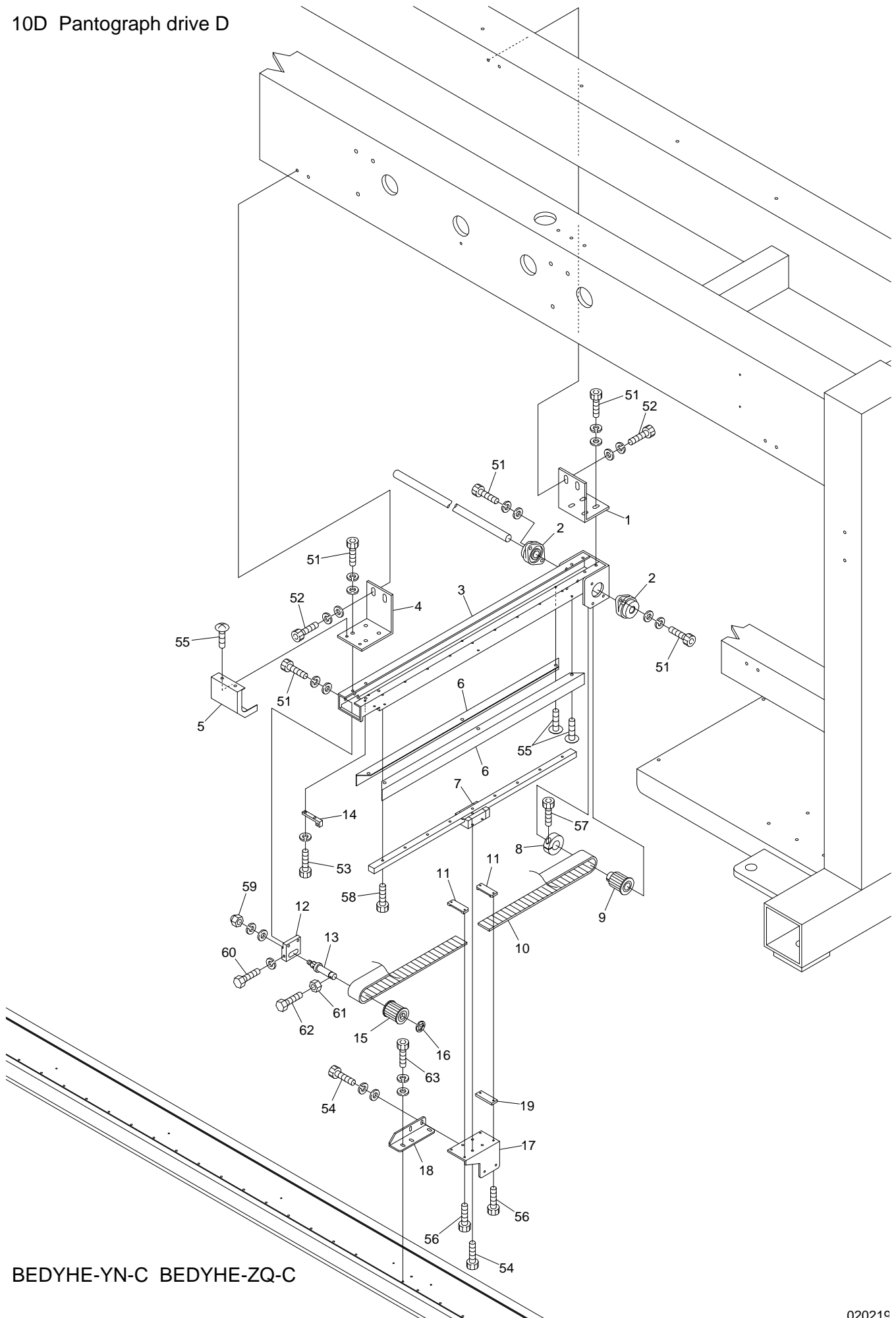


BEDYHE-YN-C BEDYHE-ZQ-C

10C PANTOGRAPH DRIVE C

ITEM	LIST NO.	DESCRIPTION	Q'TY	NOTE
1	SJ250060	V-spline cover(DYHE)	1	2T,4T
2	SJ250090	V-spline cover(DYHE) for 6-8 heads	1	6T
3	A9068030	Bushing NW-7RP	1	
4	SC480330	H-rail base fixed stay(Rear)	1	
5	A9011243	Bearing unit(UFL002C)	1	
6	A9011244	Bearing unit(UFL002D)	1	
7	SJ480010	H-rail base(ST=450) DYHE	1	
8	SC480210	H-rail base fixed stay(Front)	1	
9	SC250040	H-rail front cover	1	
10	SC250070	H-rail side cover	2	
11	SC480040	LM guide(540L)	1	
12	HH481980	Ø19 clamp	1	
13	SJ480000	Pantograph drive pulley(16 tooth)	1	
14	SC480020	Timing belt MA5	1	
15	HP482940	Timing belt set rack(5M)	2	
16	SC480050	Pulley bracket	1	
17	SC480030	Timing pulley shaft	1	
18	RP480200	Pulley stopper	1	
19	SC480010	Pantograph drive pulley(Front)	1	
20	A9012052	E-ring(Ø10)	1	
21	SC480120	Guide base(R)	1	
22	A9068049	Curl cord(Compact machine)	1	
23	A9068050	Super seal(NW-7R)	1	
24	SC480080	Guide stay(R)	1	
25	SJ480020	Rack spacer	1	
26	SC480290	Erectrical bracket	1	
51		Truss screw M6×10		
52		Hex.socket bolt M6×15(Uni chrome)		
53		Hex.socket bolt M5×15(Uni chrome)		
54		Hex.socket bolt M6×20(Uni chrome)		
55		Hex.socket bolt M4×10(With spring washer)		
56		Hex.socket bolt M4×12(Uni chrome)		
57		Truss screw M4×6(Uni chrome)		
58		Hex.socket bolt M3×15(Black)		
59		Hex.socket bolt M5×20(Black)		
60		Hex.socket bolt M4×10(Black)		
61		Hex.cap nut M8(Uni chrome)		
62		Hex.bolt M4×30(Uni chrome)		
63		Hex.nut M4		
64		Hex.bolt M4×40(Uni chrome)		
65		Hex.socket bolt M4×10(Uni chrome)		

10D Pantograph drive D



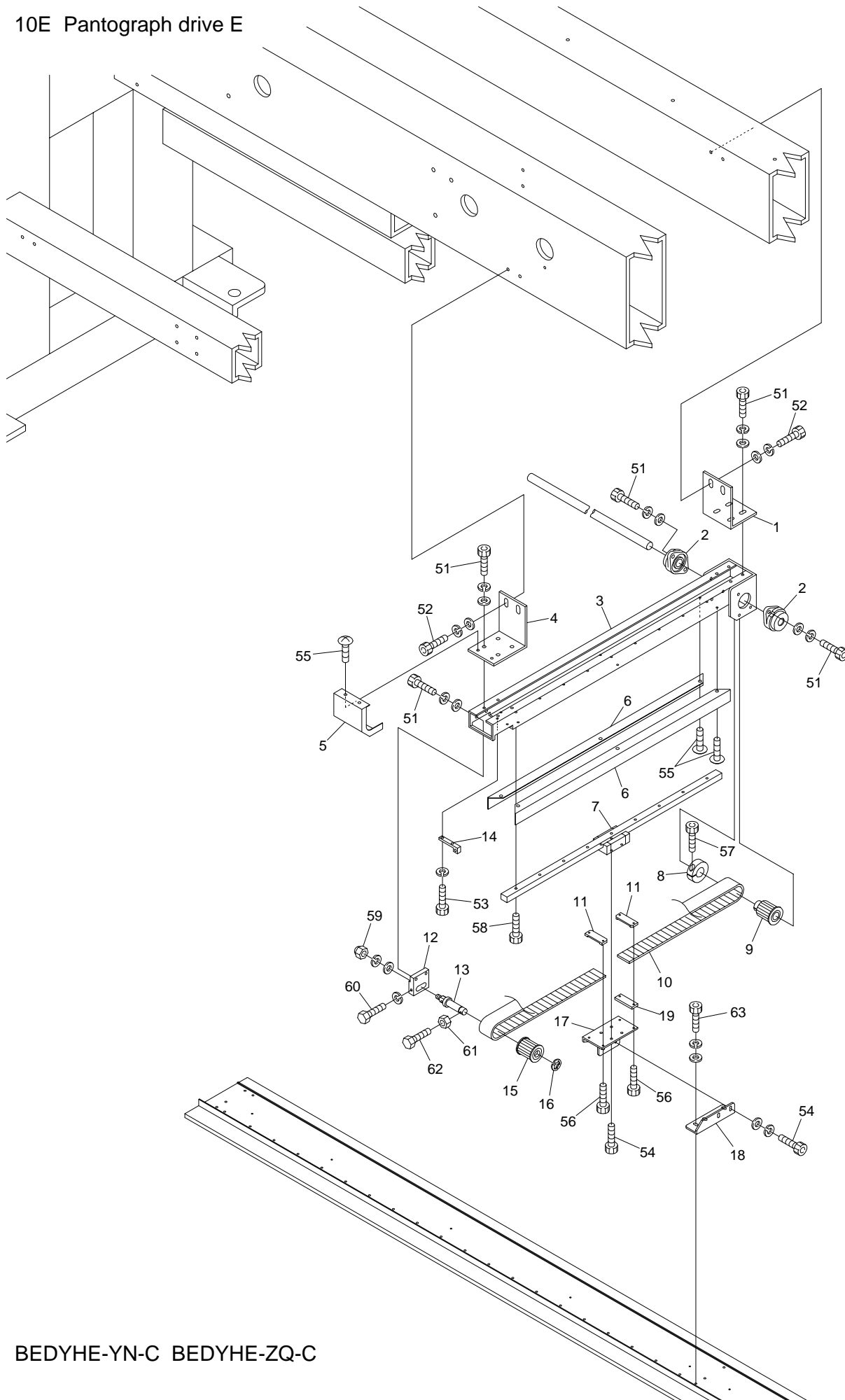
From the library of: Diamond Needle Corp

BEDYHE-YN-C BEDYHE-ZQ-C

10D PANTOGRAPH DRIVE D

ITEM	LIST NO.	DESCRIPTION	Q'TY	NOTE
1	SC480330	H-rail base fixed stay(Rear)	1	4T/6T
2	A9011243	Bearing unit(UFL002C)	2	4T/6T
3	SJ480010	H-rail base(ST=450) DYHE	1	4T/6T
4	SC480210	H-rail base fixed stay(Front)	1	4T/6T
5	SC250040	H-rail front cover	1	4T/6T
6	SC250070	H-rail side cover	2	4T/6T
7	SC480040	LM guide(540L)	1	4T/6T
8	HH481980	Ø19 clamp	1	4T/6T
9	SJ480000	Pantograph drive pulley(16 tooth)	1	4T/6T
10	SC480020	Timing belt MA5	1	4T/6T
11	HP482940	Timing belt set rack(5M)	2	4T/6T
12	SC480050	Pulley bracket	1	4T/6T
13	SC480030	Timing pulley shaft	1	4T/6T
14	RP480200	Pulley stopper	1	4T/6T
15	SC480010	Pantograph drive pulley(Front)	1	4T/6T
16	A9012052	E-ring(Ø10)	1	4T/6T
17	SC480140	Guide base(RC)	1	4T/6T
18	SC480100	Guide stay(RC)	1	4T/6T
19	SJ480020	Rack spacer	1	4T/6T
51		Hex.socket bolt M5×15(Uni chrome)		4T/6T
52		Hex.socket bolt M6×20(Uni chrome)		4T/6T
53		Hex.socket bolt M4×10(With spring washer)		4T/6T
54		Hex.socket bolt M4×10(Uni chrome)		4T/6T
55		Truss screw M4×6(Uni chrome)		4T/6T
56		Hex.socket bolt M3×15(Black)		4T/6T
57		Hex.socket bolt M5×20(Black)		4T/6T
58		Hex.socket bolt M4×10(Black)		4T/6T
59		Hex.cap nut M8(Uni chrome)		4T/6T
60		Hex.bolt M4×30(Uni chrome)		4T/6T
61		Hex.nut M4		4T/6T
62		Hex.bolt M4×40(Uni chrome)		4T/6T
63		Hex.socket bolt M4×12(Uni chrome)		4T/6T

10E Pantograph drive E



From the library of: Diamond Needle Corp

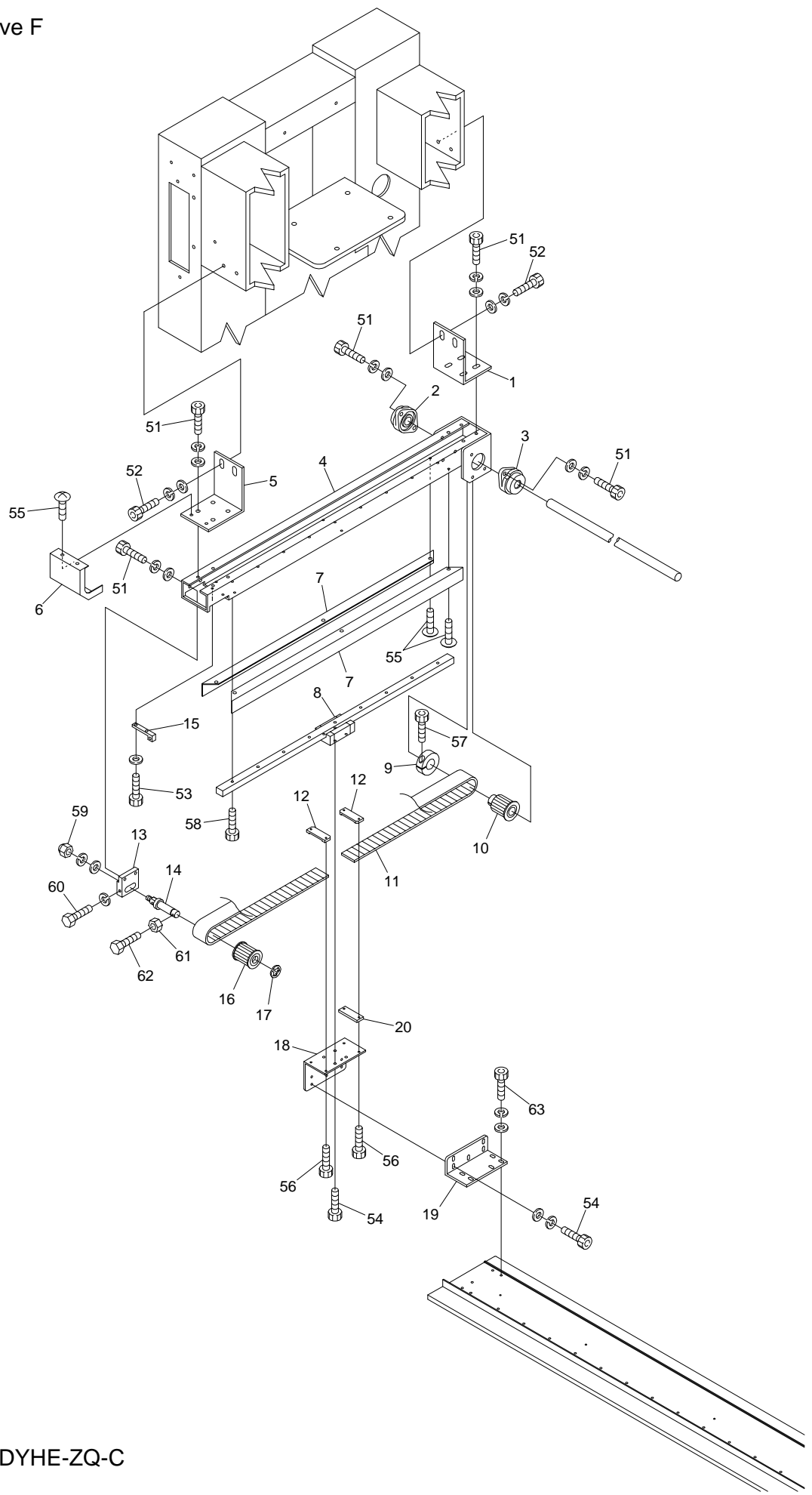
BEDYHE-YN-C BEDYHE-ZQ-C

10E PANTOGRAPH DRIVE E

ITEM	LIST NO.	DESCRIPTION	Q'TY	NOTE
1	SC480330	H-rail base fixed stay(Rear)	1	6T
2	A9011243	Bearing unit(UFL002C)	2	6T
3	SJ480010	H-rail base(ST=450) DYHE	1	6T
4	SC480210	H-rail base fixed stay(Front)	1	6T
5	SC250040	H-rail front cover	1	6T
6	SC250070	H-rail side cover	2	6T
7	SC480040	LM guide(540L)	1	6T
8	HH481980	Ø19 clamp	1	6T
9	SJ480000	Pantograph drive pulley(16 tooth)	1	6T
10	SC480020	Timing belt MA5	1	6T
11	HP482940	Timing belt set rack(5M)	2	6T
12	SC480050	Pulley bracket	1	6T
13	SC480030	Timing pulley shaft	1	6T
14	RP480200	Pulley stopper	1	6T
15	SC480010	Pantograph drive pulley(Front)	1	6T
16	A9012052	E-ring(Ø10)	1	6T
17	SC480150	Guide base(LC)	1	6T
18	SC480110	Guide stay(LC)	1	6T
19	SJ480020	Rack spacer	1	6T
51		Hex.socket bolt M5×15(Uni chrome)		6T
52		Hex.socket bolt M6×20(Uni chrome)		6T
53		Hex.socket bolt M4×10(With spring washer)		6T
54		Hex.socket bolt M4×10(Uni chrome)		6T
55		Truss screw M4×6(Uni chrome)		6T
56		Hex.socket bolt M3×15(Black)		6T
57		Hex.socket bolt M5×20(Black)		6T
58		Hex.socket bolt M4×10(Black)		6T
59		Hex.cap nut M8(Uni chrome)		6T
60		Hex.bolt M4×30(Uni chrome)		6T
61		Hex.nut M4		6T
62		Hex.bolt M4×40(Uni chrome)		6T
63		Hex.socket bolt M4×12(Uni chrome)		6T

From the library of: Diamond Needle Corp

10F Pantograph drive F



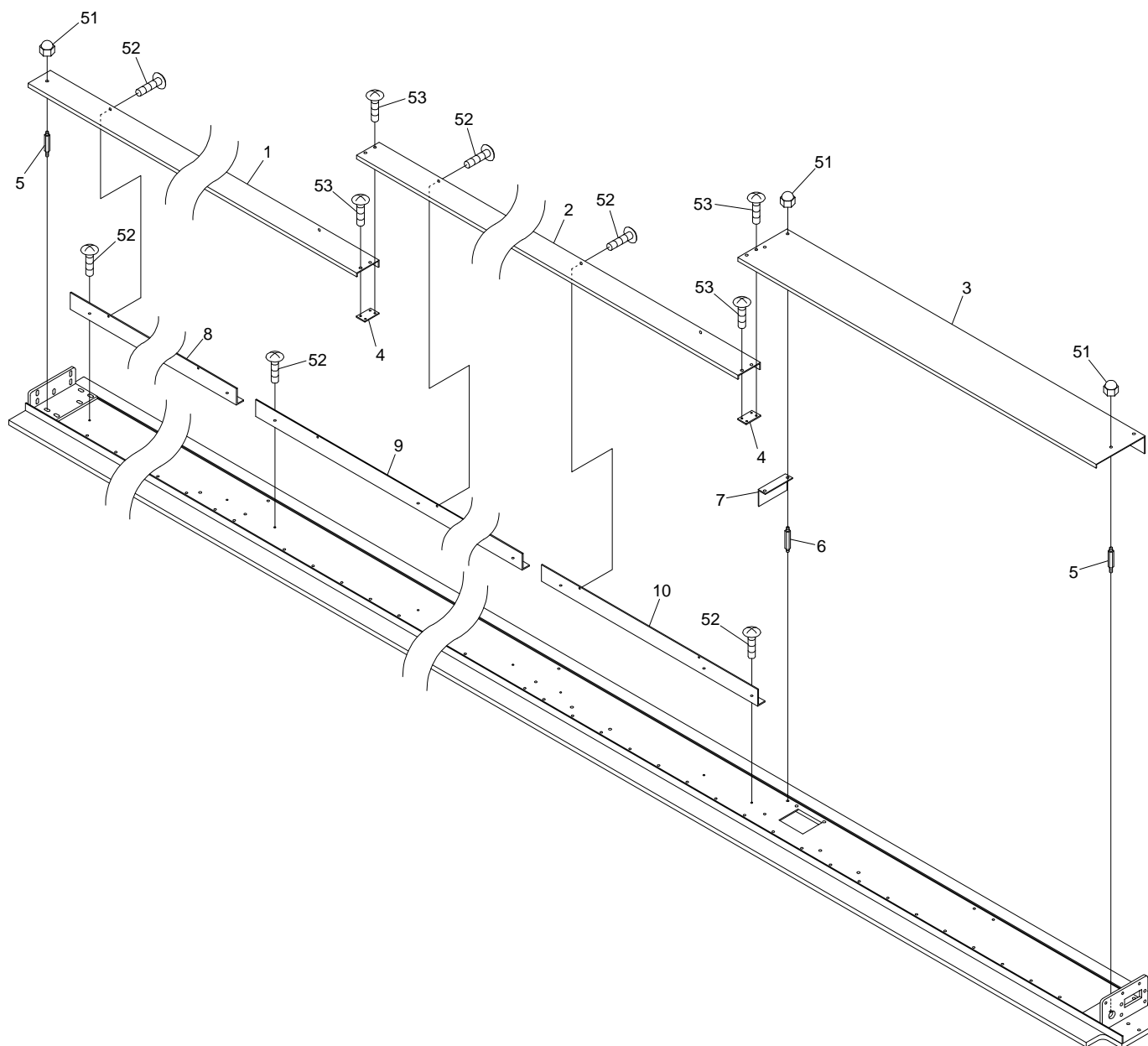
From the library of: Diamond Needle Corp

BEDYHE-YN-C BEDYHE-ZQ-C

10F PANTOGRAPH DRIVE F

ITEM	LIST NO.	DESCRIPTION	Q'TY	NOTE
1	SC480330	H-rail base fixed stay(Rear)	1	
2	A9011244	Bearing unit(UFL002D)	1	
3	A9011243	Bearing unit(UFL002C)	1	
4	SJ480010	H-rail base(ST=450) DYHE	1	
5	SC480210	H-rail base fixed stay(Front)	1	
6	SC250040	H-rail frount cover	1	
7	SC250070	H-rail side cover	2	
8	SC480040	LM guide(540L)	1	
9	HH481980	Ø19 clamp	1	
10	SJ480000	Pantograph drive pulley(16 tooth)	1	
11	SC480020	Timing belt MA5	1	
12	HP482940	Timing belt set rack(5M)	2	
13	SC480050	Pulley bracket	1	
14	SC480030	Timing pulley shaft	1	
15	RP480200	Pulley stopper	1	
16	SC480010	Pantograph drive pulley(Front)	1	
17	A9012052	E-ring(Ø10)	1	
18	SC480130	Guide base(L)	1	
19	SC480090	Guide stay(L)	1	
20	SJ480020	Rack spacer	1	
51		Hex.socket bolt M5×15(Uni chrome)		
52		Hex.socket bolt M6×20(Uni chrome)		
53		Hex.socket bolt M4×10(With spring washer)		
54		Hex.socket bolt M4×10(Uni chrome)		
55		Truss screw M4×6(Uni chrome)		
56		Hex.socket bolt M3×15(Black)		
57		Hex.socket bolt M5×20(Black)		
58		Hex.socket bolt M4×10(Black)		
59		Hex.cap nut M8(Uni chrome)		
60		Hex.bolt M4×30(Uni chrome)		
61		Hex.nut M4		
62		Hex.bolt M4×40(Uni chrome)		
63		Hex.socket bolt M4×12(Uni chrome)		

10G Pantograph drive G



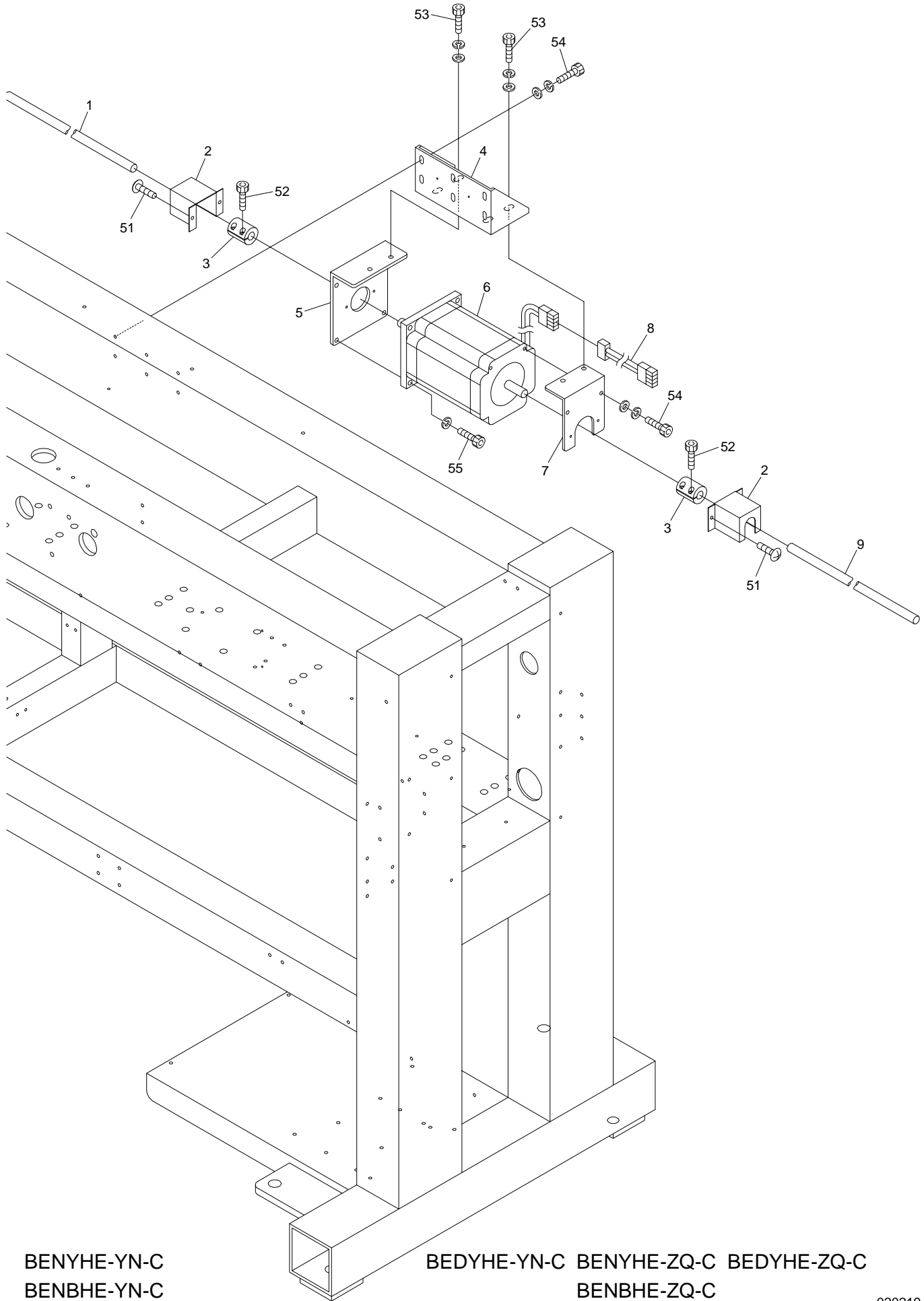
From the library of: Diamond Needle Corp

BENYHE-YN-C BEDYHE-YN-C BENYHE-ZQ-C BEDYHE-ZQ-C
BENBHE-YN-C BENBHE-ZQ-C

10G PANTOGRAPH DRIVE G

ITEM	LIST NO.	DESCRIPTION	Q'TY	NOTE
1	SC481310	V-guide cover L(For 2T)	1	2T
	SC481230	V-guide cover L(For 4T)	1	4T
	SC481040	V-guide cover L	1	6T
2	SC481050	V-guide cover R	1	6T
3	SC481060	V-guide drive cover	1	
4	SC481080	V-guide cover fixed plate	1	4T
			2	6T
5	SC481120	V-guide cover stad A	3	
6	SC481130	V-guide cover stad B	2	
7	SC481070	V-guide drive cover bracket	1	
8	SC481300	V-guide cover stay L(For 2T)	1	2T
	SC481210	V-guide cover stay L(For 4T)	1	4T
	SC481110	V-guide cover stay L	1	6T
9	SC481100	V-guide cover stay C	1	6T
10	SC481220	V-guide cover stay R(For 4T)	1	4T
	SC481090	V-guide cover stay R	1	6T
51		Hex.cap nut M4		
52		Truss screw M3x6(Uni chrome)		
53		Truss screw M4x6(Uni chrome)		

10H Pantograph drive H



From the library of: Diamond Needle Corp

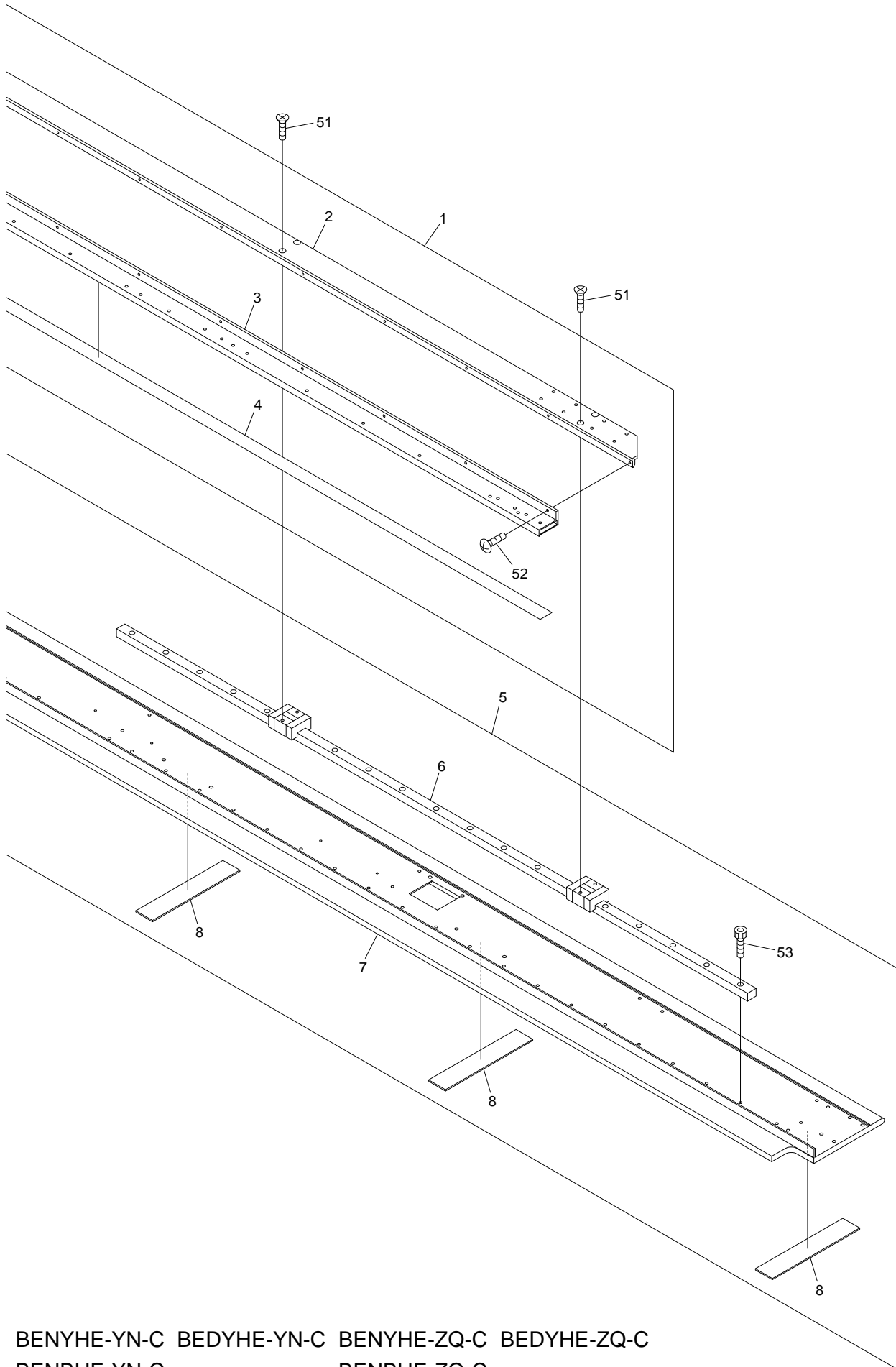
BENYHE-YN-C
BENBHE-YN-C

BEDYHE-YN-C BENYHE-ZQ-C BEDYHE-ZQ-C
BENBHE-ZQ-C

10H PANTOGRAPH DRIVE H

ITEM	LIST NO.	DESCRIPTION	Q'TY	NOTE
1	SC481330	H-pantograph drive shaft L(For 2T)	1	2T
	SC481140	H-pantograph drive shaft L(For 4T)	1	4T
	SC480370	H-pantograph drive shaft L	1	6T
2	SC250030	Connecting cover	2	
3	HH481931	Pulse motor coupling	2	
4	SC480220	H-pulse motor bracket	1	
5	SC480340	H-pulse motor stay A	1	
6	KA480010	Pulse motor(TS3560N1)	1	2T
	HV480060	Pulse motor(TS3560N2)	1	4T/6T
7	SC481280	H-pulse motor stay C	1	2T
	SC480350	H-pulse motor stay B	1	4T/6T
8	EAY053A0	H2313 pulse motor convert cable for NY-B	1	
9	SC480360	H-pantograph drive shaft R	1	
51		Truss screw M4x6(Uni chrome)		
52		Hex.socket bolt M5x14(Black)		
53		Hex.socket bolt M8x20(Black)		
54		Hex.socket bolt M6x20(Black)		
55		Hex.socket bolt M8x25(Black)		

10I Pantograph drive I



From the library of: Diamond Needle Corp

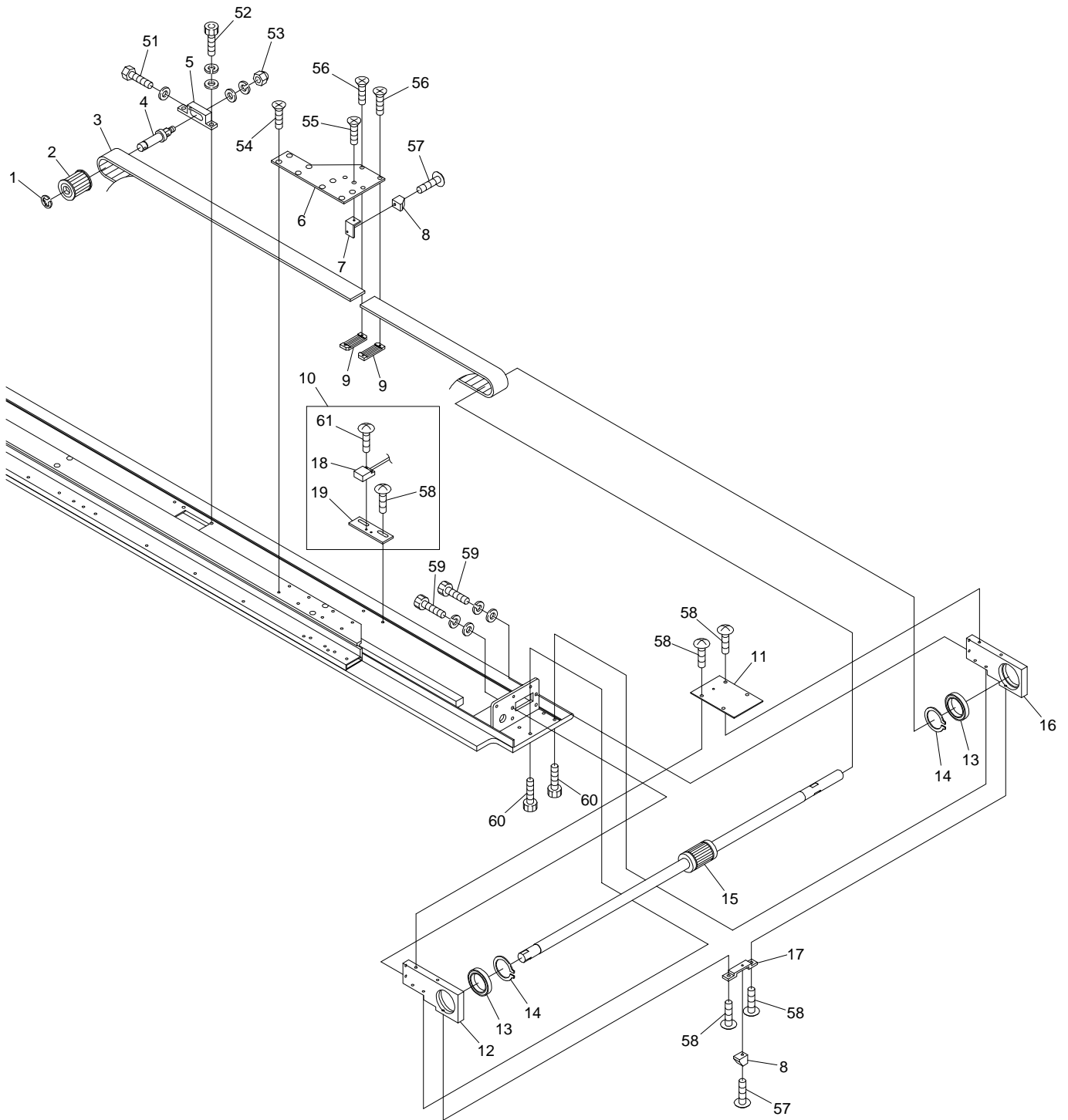
BENYHE-YN-C BEDYHE-YN-C BENYHE-ZQ-C BEDYHE-ZQ-C
BENBHE-YN-C BENBHE-ZQ-C

10I PANTOGRAPH DRIVE I

ITEM	LIST NO.	DESCRIPTION	Q'TY	NOTE
1	SC481390	V-slide bracket a'ssy(2T,P=520)	1	2T
	SC481180	V-slide bracket a'ssy(4T,P=520)	1	4T
	SC481000	V-slide bracket a'ssy(6T,P=520)	1	6T
2	SC481250	V-slide base(For 2T) P=520	1	2T
	SC481150	V-slide base(For 4T) P=520	1	4T
	SC481030	V-slide base(For 6T) P=520	1	6T
3	SC481320	V-slide bracket(For 2T) P=520	1	2T
	SC481160	V-slide bracket(For 4T) P=520	1	4T
	SC481020	V-slide bracket(For 6T) P=520	1	6T
4	SC481340	Threshold slip(For 2T) P=520	1	2T
	SC481170	Threshold slip(For 4T) P=520	1	4T
	SC481010	Threshold slip(For 6T) P=520	1	6T
5	SC481400	V-guide pantograph frame a'ssy(2T,P=520)	1	2T
	SC481200	V-guide pantograph frame a'ssy(4T,P=520)	1	4T
	SC480800	V-guide pantograph frame a'ssy(6T,P=520)	1	6T
6	SC481290	LM guide(L=1540)	1	2T
	SC480820	LM guide(L=1120)	2	4T
			3	6T
7	SC481240	V-guide pantograph frame(For 2T) P=520	1	2T
	SC481190	V-guide pantograph frame(For 4T) P=520	1	4T
	SC480810	V-guide pantograph frame(For 6T) P=520	1	6T
8	SC480830	V-guide felt(L=155)	4	2T
			6	4T
			8	6T
51		Flush screw M4x10		
52		Truss screw M3x8		
53		Hex.socket bolt M4x12(Black)		

From the library of: Diamond Needle Corp

10J Pantograph drive J



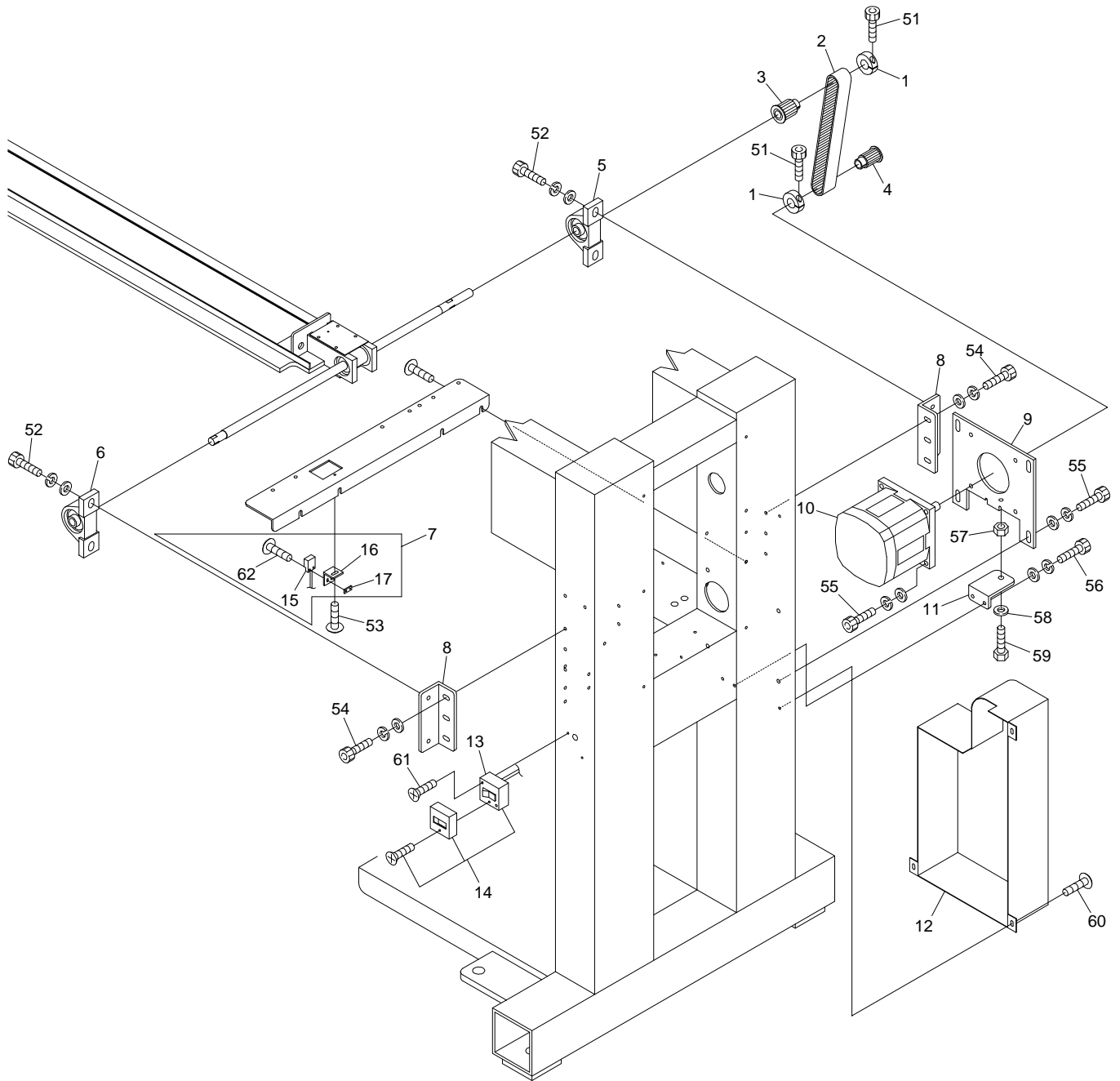
From the library of: Diamond Needle Corp

BEDYHE-YN-C BEDYHE-ZQ-C

10J PANTOGRAPH DRIVE J

ITEM	LIST NO.	DESCRIPTION	Q'TY	NOTE
1	A9012052	E-ring(Ø10)	1	
2	SC480010	Pantograph drive pulley(Front)	1	
3	SC480020	Timing belt MA5	1	
4	SC480030	Timing pulley shaft	1	
5	SC480160	V-pulley bracket	1	
6	SC480260	V-guide base plate	1	
7	SC480190	V-side magnet fixed bracket a'ssy	1	
8	A9052030	Magnet M-102A-02	2	
9	HP482940	Timing belt set rack(5M)	2	
10	SC480201	V-side origin sensor bracket a'ssy	1	
11	SC480230	V-slide block plate	1	
12	SC480300	V-slide block R	1	
13	A9010061	Bearing No.6806	2	
14	A9012401	Stop ring S-30	2	
15	SJ480050	Ball spline LT + pulley (S5M) for small pulse DYHE	1	
16	SC480310	V-slide block L	1	
17	SC480240	V-slide block bar	1	
18	A9052031	Switch(MH-601AM)	1	
19	SC481720	V-side origin sensor bracket	1	
51		Hex.bolt M4x25		
52		Hex.socket bolt M5x15(Black)		
53		Hex.cap nut M8		
54		Flush screw M4x6		
55		Flush screw M3x8		
56		Flush screw M3x10		
57		Truss screw M3x8		
58		Truss screw M4x10		
59		Hex.socket bolt M4x10		
60		Hex.socket bolt M4x12		
61		Truss screw M3x8(SUS)		

10K Pantograph drive K



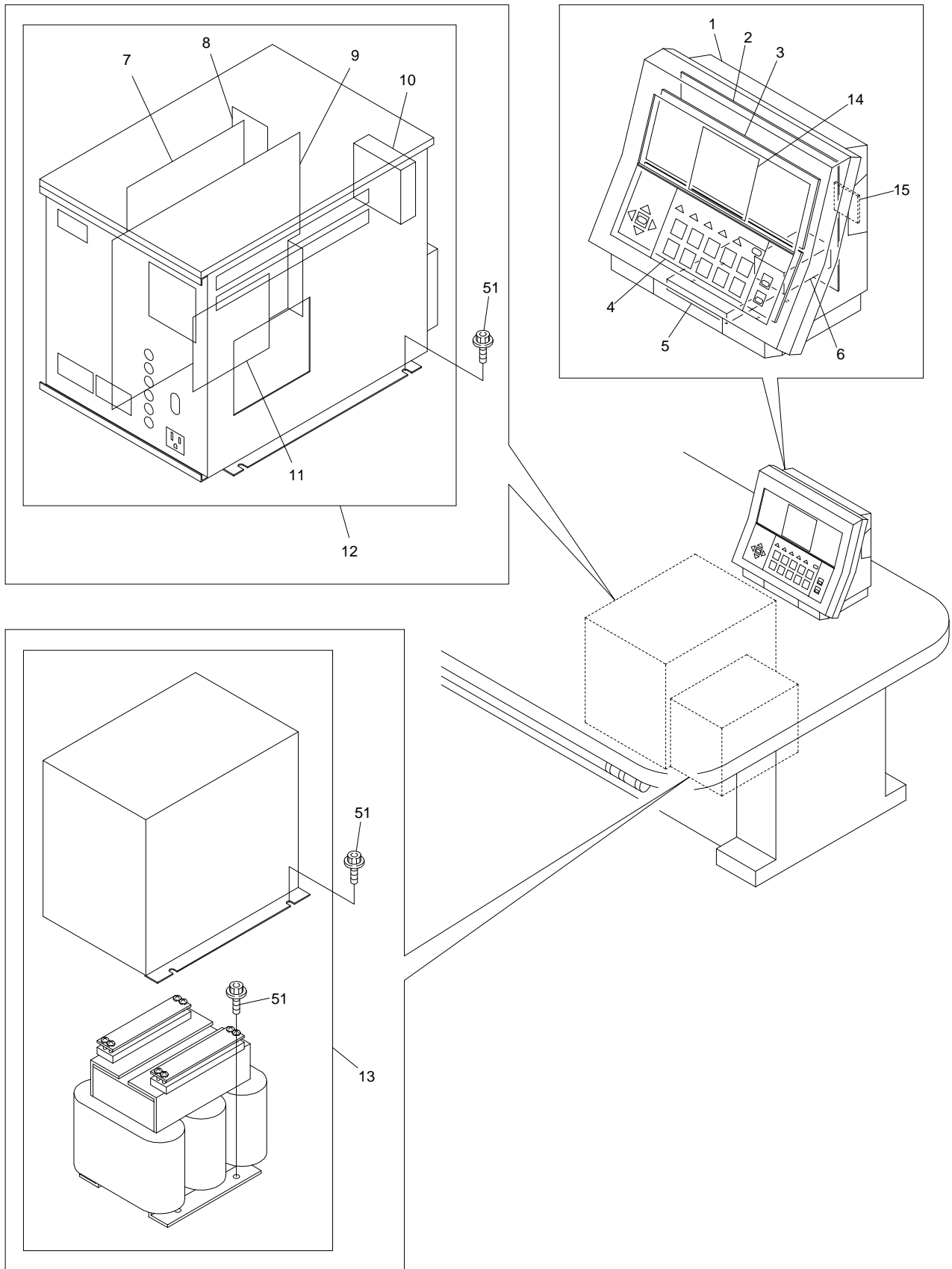
From the library of: Diamond Needle Corp

BEDYHE-YN-C BEDYHE-ZQ-C

10K PANTOGRAPH DRIVE K

ITEM	LIST NO.	DESCRIPTION	Q'TY	NOTE
1	HH481980	Ø19 clamp	2	
2	A9020211	Timing belt(030-MA5-0120E-F)	1	
3	SC480000	Pantograph drive pulley(Rear)	1	
4	SJ480000	Pantograph drive pulley(16 tooth)	1	
5	A9011128	Pillow unit(UCP202E4)	1	
6	A9011242	Pillow unit(UCP202DE4)	1	
7	SC480181	H-side origin sensor bracket a'ssy	1	
8	SC480070	Spline bearing bracket	2	
9	SJ480030	V-pulse motor fixed plate	1	
10	SC480170	V-pulse motor(TS3650N3)	1	
11	SJ480040	Tension bracket(V-side)	1	
12	SJ250070	Timing belt cover(DYHE)	1	
13	KW710060	Fluorescent lamp cable(100V)	1	
	KW710070	Fluorescent lamp cable(200V)	1	
14	A9052029	Exposure switch WS3001	1	
15	A9052031	Switch(MH-601AM)	1	
16	SC481710	H-side origin sensor bracket	1	
17	RF450041	Origin sensor fixed nut	1	
51		Hex.socket bolt M5x20(Black)		
52		Hex.socket bolt M8x25(Black)		
53		Truss screw M4x10		
54		Hex.socket bolt M6x18		
55		Hex.socket bolt M8x22		
56		Hex.socket bolt M6x15(Uni chrome)		
57		Hex.nut M8		
58		Plain washer(Large) M8		
59		Hex.bolt M8x45		
60		Truss screw M5x8		
61		Flush screw M4x12		
62		Truss screw M3x12(SUS)		

11A Control A

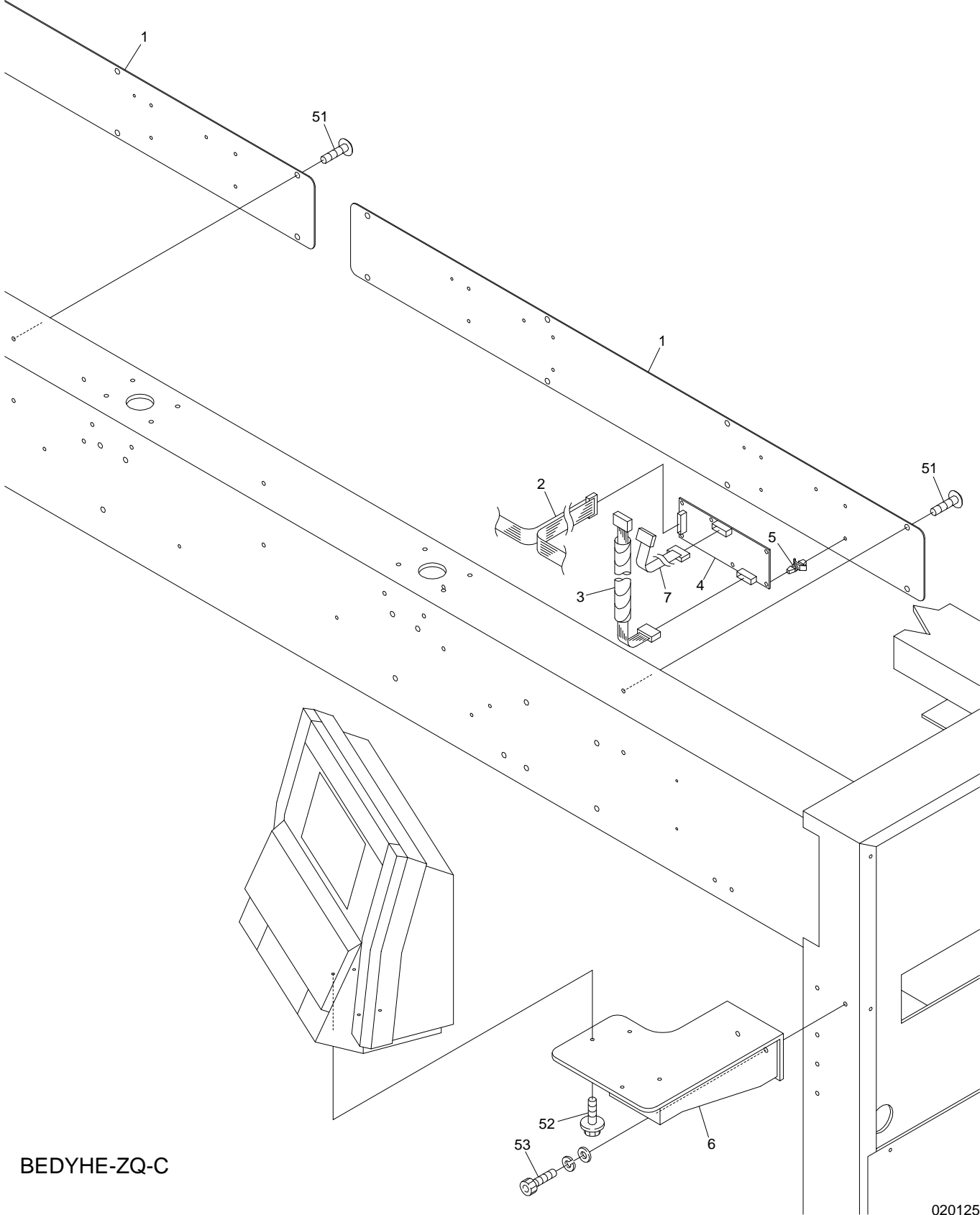


From the library of: Diamond Needle Corp

BEDYHE-YN-C BEDYHE-ZQ-C

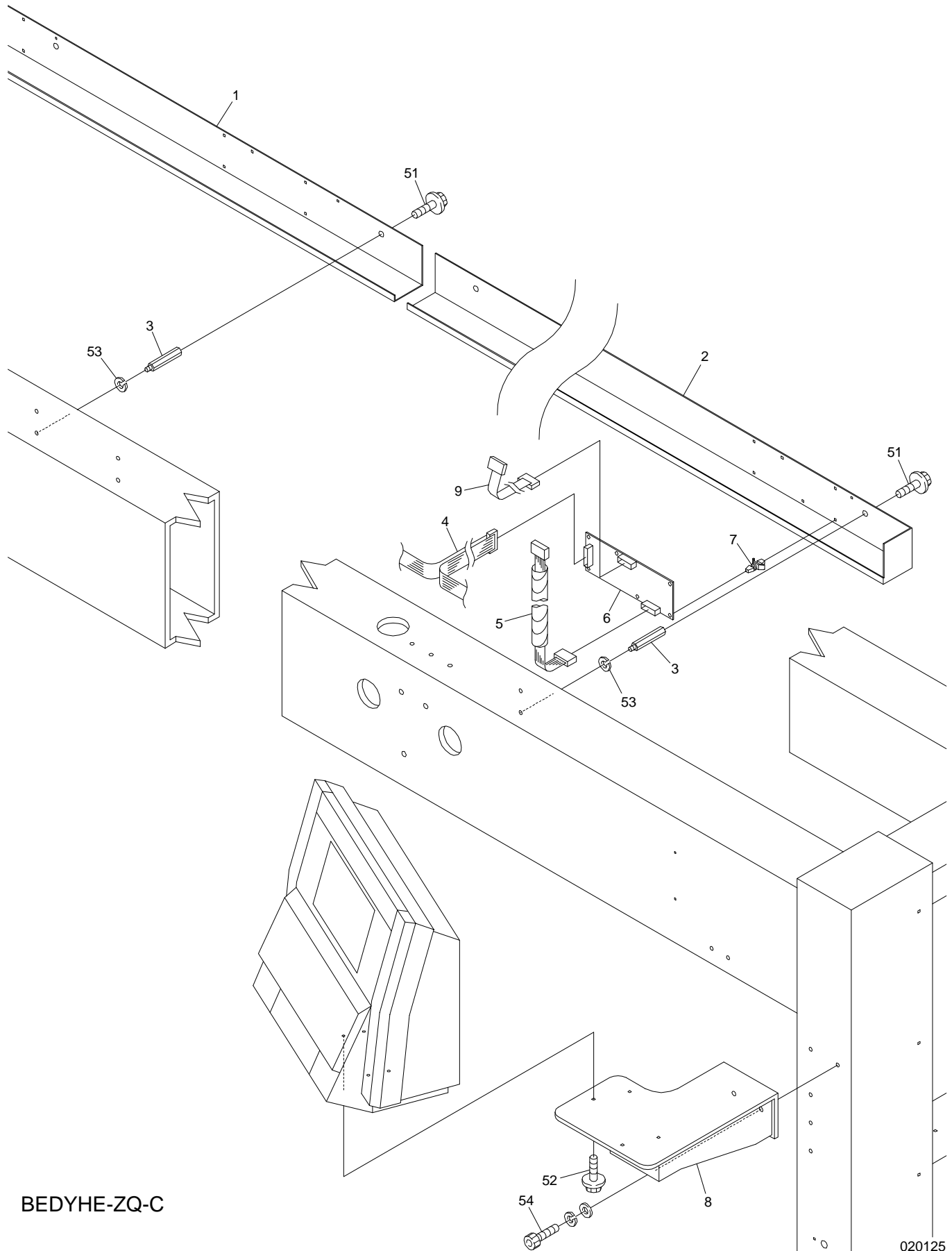
11A CONTROL A

ITEM	LIST NO.	DESCRIPTION	Q'TY	NOTE
1	EAY054A1	DS automat controller	1	
2	EBY02330	CPU board 8310	1	
3	EBY02350	LCD relay board	1	
4	EBY02340	KS-100 board	1	
5	EBY02440	Floppy disk drive(YD-702D)	1	
6	EBY02460	Switching power	1	
7	EBY01620	5751 NY inverter unit	1	
8	EBY02230	5890 Back board	1	
9	EBY02700	5811 control board unit	1	
10	FA904147	DC fan PUDC12Z4	1	
11	EBY02250	5871 power board	1	
12	EAY068A2	DY Driver UAD14	1	
13	EAY068A3	DY Transformer 1Ø T1488B	1	
	EAY052A3	NY-3 Transformer 3 Ø T1489A	1	
14	EBY02450	Graphics LCD(LM32019T)	1	
15	A9054053	Compact flash	1	
51		Hex.socket flange bolt M6×12		



From the library of: Diamond Needle Corp

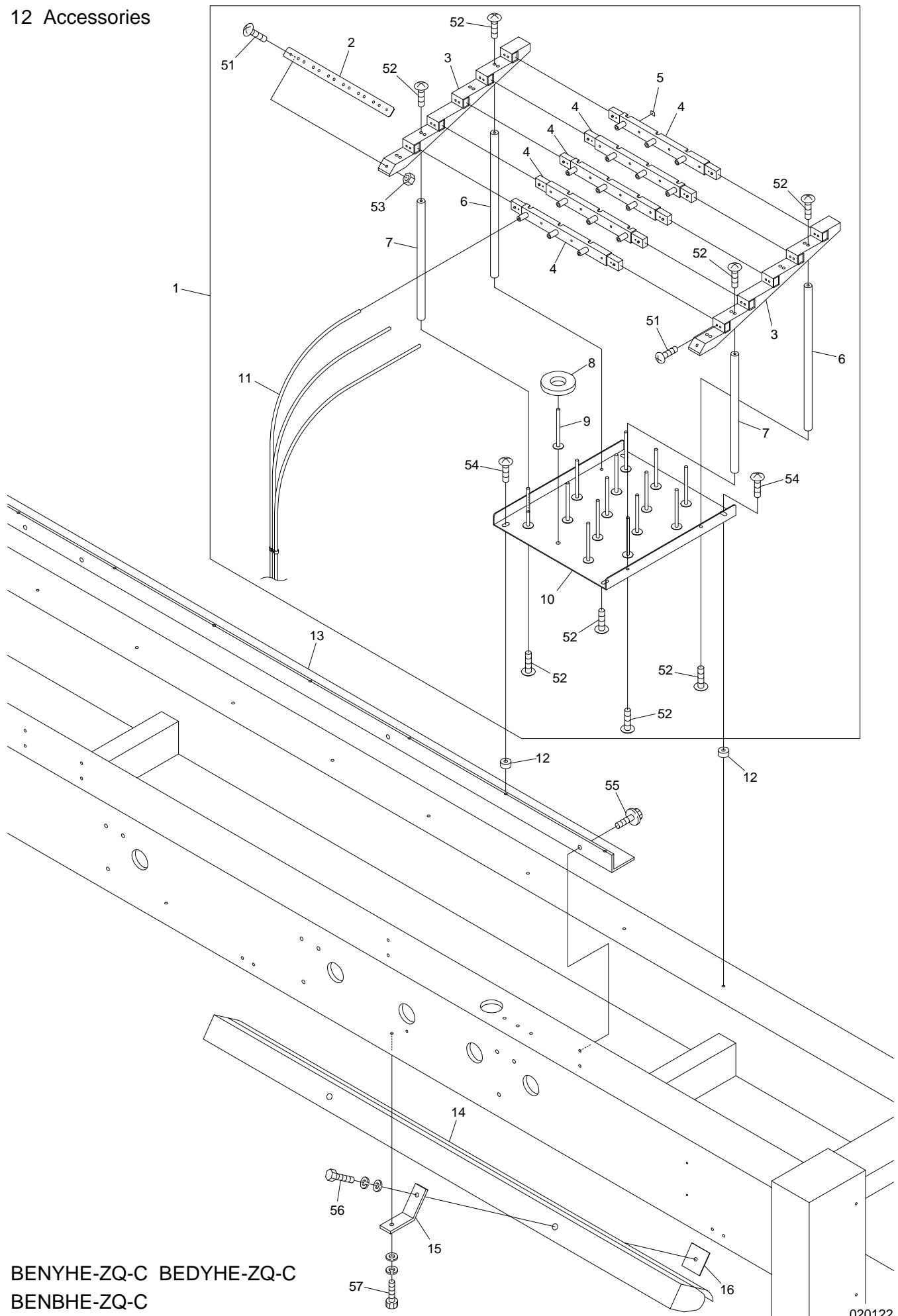
11B-2 Control B(6T)



From the library of: Diamond Needle Corp

BEDYHE-ZQ-C

12 Accessories



BENYHE-ZQ-C
 BEDYHE-ZQ-C
 BENBHE-ZQ-C

12 ACCESSORIES

ITEM	LIST NO.	DESCRIPTION	Q'TY	NOTE
1	SJ710001	Spool holder a'ssy(DYHE-ZQ)	Hx1	Includes parts RV240020,RV240100 Truss screw M3x14
2	RD710370	Hose hold bracket	Hx1	
3	RD710340	Guide base(15 needles)	Hx2	
4	RD710330	Thread guide base	Hx5	
5	RD710380	Number seal	Hx1	
6	RD710361	Pillar B	Hx2	
7	RD710351	Pillar A	Hx2	
8	KF710390	Spool holder felt(8x34xf70)	Hx15	
9	HT710000	Spool holder pin	Hx15	
10	SC710010	Spool holder base	Hx1	
11	RD710310	Spool tube DB2-6x4		Cut product
12	SC710030	Spool holder spacer	Hx4	
13	SC710040	Spool holder bracket(For 4T) P=520	1	
	SC710020	Spool holder bracket(For 6T) P=520	1	
14	HV710010	Fluorescent lamp M-4111T3-A/B(100V)	1	4T
			2	6T
	HV710020	Fluorescent lamp M-4111T4-C/D(200V)	1	4T
			2	6T
15	SC510000	Fluorescent lamp bracket	2	4T
			4	6T
16	HB710020	Fluorescent lamp mount plate	2	4T
			4	6T
51		Truss screw M4x10		
52		Truss screw M5x12		
53		Hex.nut M4		
54		Truss screw M6x12		
55		Hex.socket flange bolt M6x12(Uni chrome)		
56		Hex.bolt M6x20		
57		Hex.socket bolt M6x18(Uni chrome)		

INDEX

LIST No.	SECTION No.	ITEM	LIST No.	SECTION No.	ITEM
A 9 0 1 0 0 0 3	0 8 - 1	7	A 9 0 1 4 1 5 5	0 4 D	11
A 9 0 1 0 0 0 3	0 8 - 2	7	A 9 0 1 4 1 5 8	0 2 C	18
A 9 0 1 0 0 6 1	1 0 J	13	A 9 0 1 4 1 6 1	0 0 A - 1	7
A 9 0 1 0 0 6 2	0 7	13	A 9 0 1 4 1 6 1	0 0 A - 2	7
A 9 0 1 0 0 6 3	0 7	20	A 9 0 1 4 1 6 2	0 0 A - 1	11
A 9 0 1 0 0 6 5	0 4 B	31	A 9 0 1 4 1 6 2	0 0 A - 2	11
A 9 0 1 0 0 7 3	0 3 B	6	A 9 0 1 4 1 6 3	0 0 A - 1	12
A 9 0 1 1 1 1 1	0 1 A	14	A 9 0 1 4 1 6 3	0 0 A - 2	12
A 9 0 1 1 1 2 8	1 0 K	5	A 9 0 1 4 1 6 3	0 0 B	16
A 9 0 1 1 1 7 3	0 2 A	22	A 9 0 1 9 0 4 9	0 0 A - 1	15
A 9 0 1 1 2 4 2	1 0 K	6	A 9 0 1 9 0 4 9	0 0 A - 2	15
A 9 0 1 1 2 4 3	1 0 C	5	A 9 0 2 0 1 8 0	0 8 - 1	5
A 9 0 1 1 2 4 3	1 0 D	2	A 9 0 2 0 1 8 0	0 8 - 2	5
A 9 0 1 1 2 4 3	1 0 E	2	A 9 0 2 0 2 1 1	1 0 K	2
A 9 0 1 1 2 4 3	1 0 F	3	A 9 0 5 2 0 2 8	0 2 C	3
A 9 0 1 1 2 4 4	1 0 C	6	A 9 0 5 2 0 2 9	1 0 K	14
A 9 0 1 1 2 4 4	1 0 F	2	A 9 0 5 2 0 3 0	1 0 J	8
A 9 0 1 2 0 0 2	0 2 B	8	A 9 0 5 2 0 3 1	1 0 J	18
A 9 0 1 2 0 2 7	0 1 A	25	A 9 0 5 2 0 3 1	1 0 K	15
A 9 0 1 2 0 5 2	1 0 C	20	A 9 0 5 2 0 7 8	0 2 B	4
A 9 0 1 2 0 5 2	1 0 D	16	A 9 0 5 2 0 8 0	0 4 D	14
A 9 0 1 2 0 5 2	1 0 E	16	A 9 0 5 2 0 8 1	0 4 D	8
A 9 0 1 2 0 5 2	1 0 F	17	A 9 0 5 3 0 7 9	0 7	2
A 9 0 1 2 0 5 2	1 0 J	1	A 9 0 5 3 0 8 1	0 8 - 1	3
A 9 0 1 2 0 5 3	0 4 B	34	A 9 0 5 3 0 8 1	0 8 - 2	3
A 9 0 1 2 0 6 3	0 8 - 1	9	A 9 0 5 3 0 8 2	0 2 B	32
A 9 0 1 2 0 6 3	0 8 - 2	9	A 9 0 5 4 0 4 0	0 2 B	1
A 9 0 1 2 0 6 6	0 8 - 1	6	A 9 0 5 4 0 5 3	1 1 A	15
A 9 0 1 2 0 6 6	0 8 - 2	6	A 9 0 5 6 0 3 0	0 2 A	17
A 9 0 1 2 0 6 8	0 7	12	A 9 0 5 6 0 3 1	0 2 C	1
A 9 0 1 2 1 2 7	0 2 D	30	A 9 0 5 6 0 3 6	0 5	6
A 9 0 1 2 1 2 7	0 4 B	7	A 9 0 5 6 0 3 7	0 2 D	21
A 9 0 1 2 1 2 7	0 7	19	A 9 0 6 0 0 6 3	0 7	17
A 9 0 1 2 2 0 8	0 7	4	A 9 0 6 5 0 8 8	0 2 B	13
A 9 0 1 2 3 6 8	0 2 D	14	A 9 0 6 5 0 9 2	0 7	6
A 9 0 1 2 3 6 8	0 4 B	21	A 9 0 6 5 0 9 3	0 7	7
A 9 0 1 2 4 0 1	1 0 J	14	A 9 0 6 8 0 3 0	1 0 C	3
A 9 0 1 2 4 2 1	0 3 B	7	A 9 0 6 8 0 3 2	0 6	22
A 9 0 1 2 4 3 7	1 0 A	5	A 9 0 6 8 0 4 8	1 1 B - 1	5
A 9 0 1 2 4 3 7	1 0 B	9	A 9 0 6 8 0 4 8	1 1 B - 2	7
A 9 0 1 2 4 3 8	0 6	4	A 9 0 6 8 0 4 9	1 0 C	22
A 9 0 1 3 0 6 6	0 2 A	8	A 9 0 6 8 0 5 0	1 0 C	23
A 9 0 1 3 0 7 0	0 0 B	6	E A Y 0 5 2 A 3	1 1 A	13
A 9 0 1 4 0 5 9	0 1 A	7	E A Y 0 5 3 A 0	1 0 H	8
A 9 0 1 4 1 5 4	0 4 D	10	E A Y 0 5 4 A 1	1 1 A	1

INDEX

LIST No.	SECTION No.	ITEM	LIST No.	SECTION No.	ITEM
E A Y 0 6 8 A 2	1 1 A	12	H H 4 8 1 9 8 0	1 0 F	9
E A Y 0 6 8 A 3	1 1 A	13	H H 4 8 1 9 8 0	1 0 K	1
E B Y 0 1 6 2 0	1 1 A	7	H M 1 4 0 1 2 0	0 0 B	8
E B Y 0 1 6 2 5	0 6	19	H M 2 7 0 0 0 0	0 2 A	25
E B Y 0 1 6 2 5	1 1 B - 1	7	H M 2 7 0 0 1 0	0 2 B	6
E B Y 0 1 6 2 5	1 1 B - 2	9	H N 2 7 0 0 1 0	0 2 B	16
E B Y 0 1 6 5 0	0 7	3	H P 2 3 1 3 7 0	0 4 B	17
E B Y 0 1 6 6 3	1 1 B - 1	4	H P 3 2 1 0 9 0	0 1 A	13
E B Y 0 1 6 6 3	1 1 B - 2	6	H P 3 2 1 7 1 0	0 1 B	5
E B Y 0 2 2 3 0	1 1 A	8	H P 3 2 1 7 2 0	0 1 B	1
E B Y 0 2 2 5 0	1 1 A	11	H P 4 8 2 9 4 0	1 0 C	15
E B Y 0 2 3 3 0	1 1 A	2	H P 4 8 2 9 4 0	1 0 D	11
E B Y 0 2 3 4 0	1 1 A	4	H P 4 8 2 9 4 0	1 0 E	11
E B Y 0 2 3 5 0	1 1 A	3	H P 4 8 2 9 4 0	1 0 F	12
E B Y 0 2 4 4 0	1 1 A	5	H P 4 8 2 9 4 0	1 0 J	9
E B Y 0 2 4 5 0	1 1 A	14	H S 2 1 0 0 2 0	0 1 A	1
E B Y 0 2 4 6 0	1 1 A	6	H S 2 1 0 0 2 1	0 1 A	1
E B Y 0 2 6 1 0	0 6	18	H S 2 1 0 0 3 1	0 1 A	24
E B Y 0 2 7 0 0	1 1 A	9	H S 2 1 0 0 4 2	0 1 A	11
F A 9 0 4 1 4 7	1 1 A	10	H S 2 1 0 0 5 1	0 2 A	13
F N 0 7 0 0 1 1 S	0 4 A	25	H S 2 1 0 0 6 0	0 2 A	18
FR92300290A380A	1 0 B	1	H S 2 1 0 0 7 0	0 2 A	16
FR92460434A520S	1 0 B	1	H S 2 1 0 0 8 0	0 2 A	21
H B 2 3 0 0 7 0	0 3 B	8	H S 2 1 0 0 9 0	0 2 A	23
H B 2 3 0 0 8 0	0 3 B	9	H S 2 1 0 1 0 0	0 2 A	12
H B 2 3 0 2 0 0	0 4 B	11	H S 2 1 0 1 1 1	0 2 A	10
H B 2 3 0 2 2 0	0 4 C	10	H S 2 1 0 1 2 1	0 2 A	11
H B 2 3 0 2 6 1	0 4 C	9	H S 2 1 0 1 4 2	0 2 A	14
H B 2 3 0 2 7 1	0 4 C	3	H S 2 1 0 1 9 0	0 1 A	10
H B 2 3 0 2 8 1	0 4 C	7	H S 2 1 0 2 3 0	0 1 A	17
H B 2 3 0 3 6 1	0 4 C	6	H S 2 1 0 3 0 0	0 2 A	14
H B 2 3 0 6 2 0	0 3 B	12	H S 2 2 0 0 1 0	0 1 A	4
H B 2 3 0 6 5 0	0 3 B	17	H S 2 7 0 0 3 0	0 2 B	2
H B 2 3 0 8 0 0	0 3 B	15	H S 2 7 0 0 7 0	0 2 B	31
H B 2 4 0 0 2 0	0 5	8	H S 2 7 0 1 1 0	0 2 B	15
H B 2 4 0 0 3 0	0 5	9	H T 2 2 0 0 6 1	0 1 A	5
H B 2 4 0 0 4 1	0 5	10	H T 2 3 0 1 2 0	0 4 A	21
H B 5 6 0 0 6 0	0 5	12	H T 2 3 0 2 2 0	0 5	4
H B 5 6 0 0 8 0	0 5	11	H T 2 3 0 2 6 3	0 4 A	13
H B 5 6 0 2 1 1	0 5	13	H T 2 3 0 2 8 0	0 4 B	24
H B 7 1 0 0 2 0	1 2	16	H T 2 3 0 2 9 0	0 4 B	19
H H 4 8 1 9 3 1	1 0 H	3	H T 2 3 0 3 2 0	0 4 B	18
H H 4 8 1 9 8 0	1 0 C	12	H T 2 3 0 3 3 0	0 4 A	12
H H 4 8 1 9 8 0	1 0 D	8	H T 2 3 0 3 4 0	0 4 B	26
H H 4 8 1 9 8 0	1 0 E	8	H T 2 3 0 3 8 0	0 4 C	5

INDEX

LIST No.	SECTION No.	ITEM	LIST No.	SECTION No.	ITEM
HT 2 3 0 4 1 0	0 4 C	8	K F 2 2 0 7 0 0	0 1 A	21
HT 2 3 0 4 2 0	0 4 C	11	K F 2 2 1 0 2 0	0 1 A	23
HT 2 3 0 4 5 0	0 4 B	9	K F 2 2 1 0 4 0	0 1 A	21
HT 2 3 0 4 6 0	0 4 B	14	K F 2 3 0 5 0 1	0 3 B	24
HT 2 3 0 4 7 1	0 4 B	4	K F 2 3 0 5 3 0	0 4 B	8
HT 2 3 0 4 8 0	0 4 B	15	K F 2 3 0 5 8 2	0 2 D	2
HT 2 3 0 4 9 1	0 4 B	5	K F 2 3 0 6 8 0	0 3 B	23
HT 2 3 0 5 0 0	0 4 B	16	K F 2 3 0 9 1 0	0 4 A	20
HT 2 3 0 5 1 0	0 4 B	12	K F 2 3 0 9 2 0	0 4 A	15
HT 2 3 0 5 2 0	0 2 D	13	K F 2 5 0 2 2 0	0 2 D	7
HT 2 3 0 5 2 0	0 4 B	20	K F 2 5 0 2 3 1	0 2 D	9
HT 2 3 0 5 6 0	0 4 B	25	K F 2 5 0 2 4 1	0 2 D	8
HT 2 3 0 5 9 0	0 4 C	1	K F 2 5 0 2 5 0	0 2 D	10
HT 2 3 0 6 0 0	0 4 C	14	K F 7 1 0 3 9 0	1 2	8
HT 2 3 0 6 1 0	0 4 C	13	K F 7 3 0 5 0 0	1 0 A	3
HT 2 3 0 6 2 0	0 5	3	K F 7 3 0 7 5 0	1 0 A	1
HT 2 3 0 7 2 0	0 4 C	15	K F 7 3 0 7 6 0	1 0 A	2
HT 2 3 0 7 3 0	0 4 B	6	K L 2 2 0 1 4 0	0 1 A	8
HT 2 3 0 7 5 0	0 4 B	3	K L 2 7 0 0 8 1	0 2 C	4
HT 2 3 0 7 6 0	0 4 B	10	K L 2 7 0 0 9 1	0 2 C	8
HT 2 3 0 7 7 0	0 4 B	13	K L 2 7 0 1 0 1	0 2 C	9
HT 2 4 0 1 0 1	0 6	10	K L 2 7 0 1 1 0	0 2 C	6
HT 2 4 0 1 8 0	0 6	11	K L 2 7 0 1 2 0	0 2 C	10
HT 2 4 0 2 9 0	0 6	7	K L 2 7 0 1 3 0	0 2 C	11
HT 2 7 0 0 6 3	0 2 D	22	K L 2 7 0 2 6 0	0 2 C	2
HT 2 7 0 1 8 1	0 2 A	3	K L 2 7 0 4 5 0	0 2 C	7
HT 7 1 0 0 0 0	1 2	9	K N 2 7 0 9 5 2	0 2 A	7
H V 4 8 0 0 6 0	1 0 H	6	K N 2 7 0 9 6 1	0 2 A	5
H V 7 1 0 0 1 0	1 2	14	K N 2 7 1 5 6 0	0 2 A	24
H V 7 1 0 0 2 0	1 2	14	K N 2 7 1 7 5 0	0 2 B	7
K A 4 8 0 0 1 0	1 0 H	6	K N 2 7 1 7 8 2	0 2 B	5
K C 2 5 0 4 8 2	0 1 A	19	K N 2 7 2 0 1 0	0 2 A	9
K C 2 7 0 1 0 1	0 2 D	32	K N 2 7 2 3 5 0	0 2 B	17
K C 2 7 1 0 0 1	0 2 A	15	K N 2 7 2 4 0 1	0 2 A	19
K C 2 7 1 4 3 0	0 2 B	12	K N 2 7 2 4 0 1	0 2 C	5
K C 2 7 1 9 4 0	0 2 A	20	K N 5 1 1 0 2 0	0 1 B	3
K C 3 3 0 1 8 0	0 2 B	3	K N 5 4 0 5 1 0	0 6	9
K C 3 3 0 4 1 0	0 2 B	10	K V 2 3 0 0 4 0	0 4 A	11
K C 3 3 0 5 1 0	0 2 B	9	K W 7 1 0 0 6 0	1 0 K	13
K F 2 2 0 2 3 0	0 1 A	3	K W 7 1 0 0 7 0	1 0 K	13
K F 2 2 0 2 4 0	0 1 A	20	K X 2 3 0 0 5 0	0 4 B	30
K F 2 2 0 2 9 0	0 1 A	2	K X 2 3 0 0 8 0	0 4 B	33
K F 2 2 0 3 0 2	0 1 A	23	K X 2 3 0 1 2 0	0 3 A	5
K F 2 2 0 4 2 1	0 1 A	22	K X 2 3 0 1 4 1	0 3 A	2
K F 2 2 0 5 3 0	0 1 A	22	K X 2 3 0 1 5 2	0 3 A	1

INDEX

LIST No.	SECTION No.	ITEM	LIST No.	SECTION No.	ITEM
K X 2 3 0 1 9 2	0 4 A	3	R D 2 3 0 1 9 1	0 5	5
K X 2 3 0 2 5 1	0 4 A	14	R D 2 3 0 2 0 1	0 3 A	3
K X 2 3 0 3 1 0	0 3 A	6	R D 2 3 0 2 3 0	0 4 B	32
K X 2 5 0 0 8 0	0 1 A	9	R D 2 3 0 2 4 0	0 4 B	28
K X 2 5 0 0 8 0	0 2 A	2	R D 2 3 0 2 5 0	0 5	7
K X 2 5 0 0 8 0	1 0 A	11	R D 2 3 0 3 4 0	0 5	1
K X 2 5 0 0 8 0	1 0 B	12	R D 2 3 0 3 7 0	0 4 A	18
K X 2 7 0 0 0 0	0 2 A	26	R D 2 3 0 4 8 0	0 4 A	7
K X 2 7 0 0 1 0	0 2 A	6	R D 2 3 0 4 9 0	0 4 A	9
K X 2 7 0 0 2 3	0 2 A	4	R D 2 4 0 1 5 4	0 6	5
K X 2 7 0 0 7 0	0 2 C	14	R D 2 4 0 2 7 1	0 4 D	6
K X 2 7 0 0 9 0	0 2 D	4	R D 2 5 0 0 8 0	0 4 A	5
K X 2 7 0 1 0 0	0 2 D	6	R D 2 7 0 0 1 0	0 2 D	33
K X 2 7 0 1 1 0	0 2 D	5	R D 2 7 0 0 2 0	0 2 C	13
K X 2 7 0 1 2 0	0 2 D	3	R D 2 7 0 0 3 2	0 2 C	15
K X 2 7 0 2 8 3	0 2 A	1	R D 2 7 0 0 4 0	0 2 C	12
K X 2 7 0 2 9 0	0 2 D	17	R D 2 7 0 0 5 0	0 2 D	1
K X 2 7 0 3 0 0	0 2 D	19	R D 2 7 0 0 6 0	0 2 D	34
K X 2 7 0 3 1 0	0 2 D	18	R D 5 1 0 0 3 0	1 1 B - 1	3
K X 2 7 0 3 2 0	0 2 D	16	R D 5 1 0 0 3 0	1 1 B - 2	5
K X 2 7 0 3 4 0	0 2 D	11	R D 7 1 0 3 1 0	1 2	11
K X 2 7 0 3 5 0	0 2 D	20	R D 7 1 0 3 3 0	1 2	4
K X 2 7 0 3 6 0	0 2 D	15	R D 7 1 0 3 4 0	1 2	3
K X 2 7 0 4 3 0	0 2 A	27	R D 7 1 0 3 5 1	1 2	7
K X 3 3 0 0 2 0	0 4 D	2	R D 7 1 0 3 6 1	1 2	6
K X 5 1 0 1 4 0	0 4 D	15	R D 7 1 0 3 7 0	1 2	2
L A 2 3 0 2 8 1	0 3 A	7	R D 7 1 0 3 8 0	1 2	5
L A 2 7 0 0 7 0	0 2 D	12	R F 4 5 0 0 4 1	1 0 K	17
L A 3 3 0 1 6 0	0 4 D	1	R H 2 3 0 2 7 1	0 3 B	14
L A 7 3 0 5 9 0	1 0 B	6	R H 2 3 0 2 8 0	0 3 B	13
L A 7 3 0 6 1 0	1 0 B	4	R H 2 3 0 2 9 0	0 3 B	10
L A 7 3 0 6 3 0	1 0 B	5	R H 2 3 0 3 0 0	0 3 B	11
L A 7 3 0 6 5 0	1 0 B	3	R H 2 3 0 3 1 1	0 3 B	20
MT 2 7 2 5 0 0	0 2 A	25	R H 2 3 0 3 2 0	0 3 B	28
R A 3 1 0 3 8 0	0 8 - 1	2	R H 2 3 0 3 3 0	0 3 B	27
R D 2 3 0 0 2 0	0 4 A	1	R H 2 3 0 4 1 0	0 4 A	10
R D 2 3 0 0 3 1	0 4 A	2	R H 2 3 0 4 4 0	0 4 A	22
R D 2 3 0 0 5 0	0 4 B	29	R H 2 3 0 4 5 0	0 4 A	24
R D 2 3 0 0 6 0	0 4 A	17	R H 2 3 0 4 6 0	0 4 A	23
R D 2 3 0 0 8 0	0 3 A	4	R H 2 3 0 5 4 0	0 4 B	23
R D 2 3 0 1 1 1	0 4 D	3	R H 2 3 0 5 5 0	0 4 B	22
R D 2 3 0 1 3 0	0 3 B	19	R H 2 3 0 6 1 0	0 3 B	25
R D 2 3 0 1 5 0	0 4 B	2	R H 2 3 0 8 0 1	0 3 B	22
R D 2 3 0 1 7 0	0 4 A	8	R H 2 3 0 8 1 0	0 3 B	21
R D 2 3 0 1 8 0	0 4 A	4	R N 2 3 0 0 0 0	0 3 B	1

INDEX

LIST No.	SECTION No.	ITEM	LIST No.	SECTION No.	ITEM
R N 2 3 0 0 1 0	0 3 B	2	R V 2 5 0 0 1 1	0 4 D	5
R N 2 3 0 0 2 0	0 3 B	3	R V 2 5 0 0 2 1	0 4 D	5
R N 2 3 0 0 3 0	0 3 B	4	R V 2 5 0 0 3 1	0 4 D	5
R N 2 3 0 0 4 0	0 3 B	5	R V 2 5 0 0 4 0	0 4 D	16
R N 2 3 0 0 6 1	0 3 B	1	R V 2 5 0 0 5 0	0 4 D	7
R N 2 3 0 0 7 1	0 3 B	10	R V 2 5 0 0 6 0	0 4 A	5
R P 3 1 0 1 7 0	0 8 - 1	1	R V 2 5 0 0 7 0	0 4 D	4
R P 3 1 0 1 7 0	0 8 - 2	1	R V 2 5 0 0 9 0	0 2 C	16
R P 3 1 0 2 0 1	0 8 - 1	2	R V 2 5 0 1 1 1	0 2 C	17
R P 3 1 0 2 0 1	0 8 - 2	2	R V 2 5 0 1 2 1	0 2 C	19
R P 4 8 0 2 0 0	1 0 C	18	S C 1 2 0 0 1 0	0 0 B	7
R P 4 8 0 2 0 0	1 0 D	14	S C 1 2 0 0 2 0	0 0 B	9
R P 4 8 0 2 0 0	1 0 E	14	S C 1 2 0 0 3 0	0 0 B	1
R P 4 8 0 2 0 0	1 0 F	15	S C 1 2 0 0 4 0	0 0 B	3
R Q 1 2 0 0 8 0	0 0 B	4	S C 1 4 0 0 2 0	0 0 B	18
R Q 3 1 0 0 0 0	0 8 - 1	8	S C 1 4 0 0 3 0	0 0 B	17
R Q 3 1 0 0 0 0	0 8 - 2	8	S C 1 4 0 0 4 0	0 0 B	15
R R 2 4 0 3 0 0	0 6	8	S C 1 4 0 0 9 0	0 0 B	5
R R 2 4 0 3 3 0	0 6	20	S C 1 4 0 1 1 0	0 0 A - 1	8
R R 2 4 0 3 9 0	0 6	12	S C 1 4 0 1 1 0	0 0 A - 2	8
R R 2 4 0 5 1 0	0 6	6	S C 1 4 0 1 2 0	0 0 A - 1	6
R V 2 1 0 0 0 0	0 3 B	26	S C 1 4 0 1 2 0	0 0 A - 2	6
R V 2 3 0 0 1 0	0 4 A	16	S C 1 4 0 1 3 0	0 0 A - 1	5
R V 2 3 0 0 2 0	0 4 B	1	S C 1 4 0 1 3 0	0 0 A - 2	5
R V 2 3 0 0 3 0	0 4 A	19	S C 1 4 0 1 4 0	0 0 B	12
R V 2 3 0 0 4 0	0 4 A	6	S C 1 4 0 1 6 0	0 0 A - 1	13
R V 2 3 0 0 5 0	0 5	2	S C 1 4 0 1 6 0	0 0 A - 2	13
R V 2 3 0 0 6 0	0 3 B	18	S C 1 4 0 1 7 0	0 0 A - 1	14
R V 2 3 0 0 7 0	0 3 B	16	S C 1 4 0 1 7 0	0 0 A - 2	14
R V 2 3 0 1 2 0	0 4 A	6	S C 1 4 0 1 8 0	0 0 A - 1	10
R V 2 3 0 1 3 0	0 4 A	16	S C 1 4 0 1 8 0	0 0 A - 2	10
R V 2 3 0 1 8 0	0 4 C	12	S C 1 6 0 0 1 0	0 0 A - 1	16
R V 2 3 0 1 9 0	0 4 C	4	S C 1 6 0 0 1 0	0 0 A - 2	16
R V 2 3 0 2 0 0	0 4 C	2	S C 1 6 0 0 2 0	0 0 A - 1	17
R V 2 3 0 2 5 0	0 4 B	27	S C 1 6 0 0 2 0	0 0 A - 2	17
R V 2 4 0 0 1 0	0 6	13	S C 1 6 0 0 3 0	0 0 A - 1	18
R V 2 4 0 0 2 0	0 6	3	S C 1 6 0 0 3 0	0 0 A - 2	18
R V 2 4 0 0 4 0	0 6	14	S C 1 6 0 0 4 0	0 8 - 2	4
R V 2 4 0 0 5 0	0 6	15	S C 2 1 0 0 0 0	0 1 A	15
R V 2 4 0 0 6 1	0 6	17	S C 2 1 0 0 1 0	0 0 B	13
R V 2 4 0 0 7 0	0 6	24	S C 2 1 0 0 1 0	0 1 A	16
R V 2 4 0 0 8 0	0 6	23	S C 2 5 0 0 0 0	0 8 - 1	18
R V 2 4 0 0 9 0	0 6	16	S C 2 5 0 0 0 0	0 8 - 2	18
R V 2 4 0 1 0 0	0 6	1	S C 2 5 0 0 1 0	0 8 - 2	22
R V 2 4 0 1 1 0	0 6	2	S C 2 5 0 0 2 0	0 2 B	14

INDEX

LIST No.	SECTION No.	ITEM	LIST No.	SECTION No.	ITEM
SC 2 5 0 0 3 0	1 0 H	2	SC 3 3 0 1 2 0	0 7	18
SC 2 5 0 0 4 0	1 0 C	9	SC 3 3 0 1 3 0	0 1 B	2
SC 2 5 0 0 4 0	1 0 D	5	SC 4 8 0 0 0 0	1 0 K	3
SC 2 5 0 0 4 0	1 0 E	5	SC 4 8 0 0 1 0	1 0 C	19
SC 2 5 0 0 4 0	1 0 F	6	SC 4 8 0 0 1 0	1 0 D	15
SC 2 5 0 0 7 0	1 0 C	10	SC 4 8 0 0 1 0	1 0 E	15
SC 2 5 0 0 7 0	1 0 D	6	SC 4 8 0 0 1 0	1 0 F	16
SC 2 5 0 0 7 0	1 0 E	6	SC 4 8 0 0 1 0	1 0 J	2
SC 2 5 0 0 7 0	1 0 F	7	SC 4 8 0 0 2 0	1 0 C	14
SC 2 5 0 0 8 0	0 1 B	4	SC 4 8 0 0 2 0	1 0 D	10
SC 2 7 0 0 0 0	0 2 B	11	SC 4 8 0 0 2 0	1 0 E	10
SC 3 1 0 0 0 0	0 8 - 1	17	SC 4 8 0 0 2 0	1 0 F	11
SC 3 1 0 0 0 0	0 8 - 2	17	SC 4 8 0 0 2 0	1 0 J	3
SC 3 1 0 0 1 0	0 8 - 1	14	SC 4 8 0 0 3 0	1 0 C	17
SC 3 1 0 0 1 0	0 8 - 2	14	SC 4 8 0 0 3 0	1 0 D	13
SC 3 1 0 0 2 0	0 8 - 1	10	SC 4 8 0 0 3 0	1 0 E	13
SC 3 1 0 0 2 0	0 8 - 2	10	SC 4 8 0 0 3 0	1 0 F	14
SC 3 1 0 0 3 0	0 8 - 1	11	SC 4 8 0 0 3 0	1 0 J	4
SC 3 1 0 0 3 0	0 8 - 2	11	SC 4 8 0 0 4 0	1 0 C	11
SC 3 1 0 0 4 0	0 8 - 2	12	SC 4 8 0 0 4 0	1 0 D	7
SC 3 1 0 0 5 0	0 8 - 1	15	SC 4 8 0 0 4 0	1 0 E	7
SC 3 1 0 0 5 0	0 8 - 2	15	SC 4 8 0 0 4 0	1 0 F	8
SC 3 1 0 0 6 0	0 8 - 1	13	SC 4 8 0 0 5 0	1 0 C	16
SC 3 1 0 0 6 0	0 8 - 2	13	SC 4 8 0 0 5 0	1 0 D	12
SC 3 1 0 0 7 0	0 8 - 1	19	SC 4 8 0 0 5 0	1 0 E	12
SC 3 1 0 0 7 0	0 8 - 2	19	SC 4 8 0 0 5 0	1 0 F	13
SC 3 1 0 0 8 0	0 8 - 2	23	SC 4 8 0 0 7 0	1 0 K	8
SC 3 1 0 0 9 0	0 8 - 2	20	SC 4 8 0 0 8 0	1 0 C	24
SC 3 1 0 1 0 0	0 8 - 1	16	SC 4 8 0 0 9 0	1 0 F	19
SC 3 1 0 1 0 0	0 8 - 2	16	SC 4 8 0 1 0 0	1 0 D	18
SC 3 1 0 1 1 0	0 8 - 1	22	SC 4 8 0 1 1 0	1 0 E	18
SC 3 1 0 1 2 0	0 8 - 1	20	SC 4 8 0 1 2 0	1 0 C	21
SC 3 1 0 1 3 0	0 8 - 1	22	SC 4 8 0 1 3 0	1 0 F	18
SC 3 1 0 1 4 0	0 8 - 1	20	SC 4 8 0 1 4 0	1 0 D	17
SC 3 1 0 1 5 0	0 8 - 1	12	SC 4 8 0 1 5 0	1 0 E	17
SC 3 3 0 0 1 0	0 7	11	SC 4 8 0 1 6 0	1 0 J	5
SC 3 3 0 0 2 0	0 7	22	SC 4 8 0 1 7 0	1 0 K	10
SC 3 3 0 0 3 0	0 7	21	SC 4 8 0 1 8 1	1 0 K	7
SC 3 3 0 0 4 0	0 7	10	SC 4 8 0 1 9 0	1 0 J	7
SC 3 3 0 0 5 0	0 7	15	SC 4 8 0 2 0 1	1 0 J	10
SC 3 3 0 0 6 0	0 7	16	SC 4 8 0 2 1 0	1 0 C	8
SC 3 3 0 0 8 0	0 7	8	SC 4 8 0 2 1 0	1 0 D	4
SC 3 3 0 0 9 0	0 7	14	SC 4 8 0 2 1 0	1 0 E	4
SC 3 3 0 1 0 0	0 7	5	SC 4 8 0 2 1 0	1 0 F	5
SC 3 3 0 1 1 0	0 7	1	SC 4 8 0 2 2 0	1 0 H	4

INDEX

LIST No.	SECTION No.	ITEM	LIST No.	SECTION No.	ITEM
SC 480230	10 J	11	SC 481290	10 I	6
SC 480240	10 J	17	SC 481300	10 G	8
SC 480260	10 J	6	SC 481310	10 G	1
SC 480290	10 C	26	SC 481320	10 I	3
SC 480300	10 J	12	SC 481330	10 H	1
SC 480310	10 J	16	SC 481340	10 I	4
SC 480330	10 C	4	SC 481370	08 - 1	1
SC 480330	10 D	1	SC 481390	10 I	1
SC 480330	10 E	1	SC 481400	10 I	5
SC 480330	10 F	1	SC 481710	10 K	16
SC 480340	10 H	5	SC 481720	10 J	19
SC 480350	10 H	7	SC 510000	12	15
SC 480360	10 H	9	SC 510020	11 B - 2	3
SC 480370	10 H	1	SC 510030	11 B - 2	2
SC 480800	10 I	5	SC 510040	11 B - 2	1
SC 480810	10 I	7	SC 510180	11 B - 1	1
SC 480820	10 I	6	SC 710010	12	10
SC 480830	10 I	8	SC 710020	12	13
SC 481000	10 I	1	SC 710030	12	12
SC 481010	10 I	4	SC 710040	12	13
SC 481020	10 I	3	SC 730000	10 A	8
SC 481030	10 I	2	SC 730010	10 A	4
SC 481040	10 G	1	SC 730030	10 A	7
SC 481050	10 G	2	SC 730041	10 A	6
SC 481060	10 G	3	SC 730050	10 A	4
SC 481070	10 G	7	SC 730060	10 A	8
SC 481080	10 G	4	SC 730092	10 B	2
SC 481090	10 G	10	SC 730102	10 B	7
SC 481100	10 G	9	SC 730111	10 B	8
SC 481110	10 G	8	SC 730230	10 A	9
SC 481120	10 G	5	SC 730230	10 B	10
SC 481130	10 G	6	SC 730240	10 A	10
SC 481140	10 H	1	SC 730240	10 B	11
SC 481150	10 I	2	SF 250140	04 D	12
SC 481160	10 I	3	SF 250150	04 D	9
SC 481170	10 I	4	SJ 120000	00 B	2
SC 481180	10 I	1	SJ 120010	00 B	2
SC 481190	10 I	7	SJ 120030	00 B	2
SC 481200	10 I	5	SJ 130000	08 - 1	21
SC 481210	10 G	8	SJ 130000	08 - 2	21
SC 481220	10 G	10	SJ 130010	08 - 1	21
SC 481230	10 G	1	SJ 130010	08 - 2	21
SC 481240	10 I	7	SJ 130020	08 - 1	21
SC 481250	10 I	2	SJ 130020	08 - 2	21
SC 481280	10 H	7	SJ 130030	08 - 1	21

INDEX

LIST No.	SECTION No.	ITEM	LIST No.	SECTION No.	ITEM
S J 1 3 0 0 3 0	0 8 - 2	21	S J 4 8 0 0 1 0	1 0 F	4
S J 1 3 0 0 4 0	0 8 - 1	21	S J 4 8 0 0 2 0	1 0 C	25
S J 1 3 0 0 4 0	0 8 - 2	21	S J 4 8 0 0 2 0	1 0 D	19
S J 1 4 0 0 0 0	0 0 B	14	S J 4 8 0 0 2 0	1 0 E	19
S J 1 4 0 0 1 0	0 0 B	11	S J 4 8 0 0 2 0	1 0 F	20
S J 1 4 0 0 2 0	0 0 B	10	S J 4 8 0 0 3 0	1 0 K	9
S J 1 4 0 0 3 0	0 0 A - 1	9	S J 4 8 0 0 4 0	1 0 K	11
S J 1 4 0 0 3 0	0 0 A - 2	9	S J 4 8 0 0 5 0	1 0 J	15
S J 1 4 0 0 4 0	0 0 A - 1	3	S J 5 1 0 0 0 0	1 1 B - 1	6
S J 1 4 0 0 4 0	0 0 A - 2	3	S J 5 1 0 0 0 0	1 1 B - 2	8
S J 1 4 0 0 5 0	0 0 A - 1	1	S J 7 1 0 0 0 1	1 2	1
S J 1 4 0 0 5 0	0 0 A - 2	1			
S J 1 4 0 0 6 0	0 0 A - 1	2			
S J 1 4 0 0 6 0	0 0 A - 2	2			
S J 1 6 0 0 0 0	0 0 A - 1	4			
S J 1 6 0 0 1 0	0 0 A - 1	4			
S J 1 6 0 0 3 0	0 8 - 1	4			
S J 1 6 0 0 4 0	0 0 A - 1	19			
S J 1 6 0 0 5 0	0 0 A - 2	4			
S J 2 1 0 0 2 0	0 1 A	17			
S J 2 1 0 0 3 0	0 1 A	18			
S J 2 1 0 0 4 0	0 2 A	18			
S J 2 2 0 0 1 0	0 1 A	6			
S J 2 4 0 0 1 0	0 6	21			
S J 2 5 0 0 0 0	0 4 D	13			
S J 2 5 0 0 1 0	0 4 D	13			
S J 2 5 0 0 2 0	0 4 D	13			
S J 2 5 0 0 3 0	0 4 D	13			
S J 2 5 0 0 4 0	0 8 - 1	18			
S J 2 5 0 0 4 0	0 8 - 2	18			
S J 2 5 0 0 5 0	0 2 B	14			
S J 2 5 0 0 6 0	1 0 C	1			
S J 2 5 0 0 7 0	1 0 K	12			
S J 2 5 0 0 8 0	0 8 - 2	22			
S J 2 5 0 0 9 0	1 0 C	2			
S J 3 2 0 0 1 0	0 1 A	12			
S J 3 3 0 0 2 0	0 7	9			
S J 4 8 0 0 0 0	1 0 C	13			
S J 4 8 0 0 0 0	1 0 D	9			
S J 4 8 0 0 0 0	1 0 E	9			
S J 4 8 0 0 0 0	1 0 F	10			
S J 4 8 0 0 0 0	1 0 K	4			
S J 4 8 0 0 1 0	1 0 C	7			
S J 4 8 0 0 1 0	1 0 D	3			
S J 4 8 0 0 1 0	1 0 E	3			